

INSTALLATION AND SERVICE MANUAL

gas-fired unit heaters

model HD and HDB



All models approved for use in California by the CEC, in New York city by the MEA division, and in Massachusetts. Unit heater is certified for residential and commercial applications.

FOR YOUR SAFETY

The use and storage of gasoline or other flammable vapors and liquids in open containers in the vicinity of this appliance is hazardous.

! WARNING

1. Improper installation, adjustment, alteration, service or maintenance can cause property damage, injury or death, and could cause exposure to substances which have been determined by various state agencies to cause cancer, birth defects or other reproductive harm. Read the installation, operating and maintenance instructions thoroughly before installing or servicing this equipment.
2. Do not locate ANY gas-fired units in areas where chlorinated, halogenated, or acid vapors are present in the atmosphere. These substances can cause premature heat exchanger failure due to corrosion, which can cause property damage, serious injury, or death.

IMPORTANT

The use of this manual is specifically intended for a qualified installation and service agency. All installation and service of these units must be performed by a qualified installation and service agency.

Inspection on Arrival

1. Inspect unit upon arrival. In case of damage, report it immediately to transportation company and your local Modine sales representative.
2. Check rating plate on unit to verify that power supply meets available electric power at the point of installation.
3. Inspect unit upon arrival for conformance with description of product ordered (including specifications where applicable).

Table of Contents

Inspection on Arrival	1
Special Precautions	2
SI (Metric) Conversion Factors	3
Before you Begin	3
Unit Location	4
Combustible Material and Service Clearances	4
Unit Mounting	5
Unit Installation	5
Venting	6
Gas Connections	14
Wiring/Blower Speed Adjustment	16
Operation	17
Unit Components	18
Dimensions	19
Service/Trouble Shooting	21
Unit Wiring Diagram	22
Serial/Model Number/Replacement Parts	23
Residential Warranty	23
Commercial Warranty	24

FOR YOUR SAFETY

WHAT TO DO IF YOU SMELL GAS:

1. Open windows.
2. Do not try to light any appliance.
3. Do not touch any electrical switch; do not use any phone in your building.
4. Immediately call your gas supplier from a neighbor's phone. Follow the gas supplier's instructions. If you can not reach your gas supplier, call your fire department.

SPECIAL PRECAUTIONS

SPECIAL PRECAUTIONS

THE INSTALLATION AND MAINTENANCE INSTRUCTIONS IN THIS MANUAL MUST BE FOLLOWED TO PROVIDE SAFE, EFFICIENT AND TROUBLE-FREE OPERATION. IN ADDITION, PARTICULAR CARE MUST BE EXERCISED REGARDING THE SPECIAL PRECAUTIONS LISTED BELOW. FAILURE TO PROPERLY ADDRESS THESE CRITICAL AREAS COULD RESULT IN PROPERTY DAMAGE OR LOSS, PERSONAL INJURY, OR DEATH. THESE INSTRUCTIONS SUBJECT TO ANY MORE RESTRICTIVE LOCAL OR NATIONAL CODES.

HAZARD INTENSITY LEVELS

1. **DANGER:** Indicates an imminently hazardous situation which, if not avoided, WILL result in death or serious injury.
2. **WARNING:** Indicates a potentially hazardous situation which, if not avoided, COULD result in death or serious injury.
3. **CAUTION:** Indicates a potentially hazardous situation which, if not avoided, MAY result in minor or moderate injury.
4. **IMPORTANT:** Indicates a situation which, if not avoided, MAY result in a potential safety concern.

DANGER

Appliances must not be installed where they may be exposed to a potentially explosive or flammable atmosphere.

WARNING

1. Gas fired heating equipment must be vented - do not operate unvented.
2. A built-in power exhauster is provided - additional external power exhausters are not required or permitted.
3. If you are replacing an existing heater, it may be necessary to resize the venting systems. Improperly sized venting systems can result in vent gas leakage or the formation of condensate. Refer to the National Fuel Gas Code ANSI Z223.1 or CSA B149.1 latest edition. Failure to follow these instructions can result in injury or death.
4. Under no circumstances should two sections of double wall vent pipe be joined together within one horizontal vent system due to the inability to verify complete seal of inner pipes.
5. All field gas piping must be pressure/leak tested prior to operation. Never use an open flame. Use a soap solution or equivalent for testing.
6. Gas pressure to appliance controls must never exceed 14" W.C. (1/2 psi).
7. To reduce the opportunity for condensation, the minimum sea level input to the appliance, as indicated on the serial plate, must not be less than 5% below the rated input, or 5% below the minimum rated input of dual rated units.
8. Disconnect power supply before making wiring connections to prevent electrical shock and equipment damage.
9. All appliances must be wired strictly in accordance with wiring diagram furnished with the appliance. Any wiring different from the wiring diagram could result in a hazard to persons and property.
10. Any original factory wiring that requires replacement must be replaced with wiring material having a temperature rating of at least 105°C.
11. Ensure that the supply voltage to the appliance, as indicated on the serial plate, is not 5% greater than the rated voltage.
12. When servicing or repairing this equipment, use only factory-approved service replacement parts. A complete replacements parts list may be obtained by contacting the factory. Refer to the rating plate on the appliance for complete appliance model number, serial number, and company address. Any substitution of parts or controls not approved by the factory will be at the owners risk.

CAUTION

1. All literature shipped with this unit should be kept for future use for servicing or service diagnostics. Do not discard any literature shipped with this unit.
2. Consult piping, electrical, and venting instructions in this manual before final installation.
3. Do not attach ductwork, air filters, or polytubes to any propeller unit heater.
4. Clearances to combustible materials are critical. Be sure to follow all listed requirements.
5. Do not locate units in tightly sealed rooms or small compartments (commonly referred to as confined spaces) without provisions for adequate combustion air and venting. Combustion air must have access to the confined space through a minimum of two permanent openings in the enclosure, at least one near the bottom. They should provide a free area of one square inch per 1,000 BTU/Hr input rating of the unit with a minimum of 100 square inches for each opening, whichever is greater.
6. Low profile heaters are designed for use in heating applications with ambient temperatures between -40°F and 90°F.
7. Do not install unit outdoors.
8. In garages or other sections of aircraft hangars such as offices and shops that communicate with areas used for servicing or storage, keep the bottom of the unit at least 7' above the floor unless the unit is properly guarded to provide user protection from moving parts. In parking garages, the unit must be installed in accordance with the standard for parking structures ANSI/NFPA 88A, and in repair garages the standard for repair garages NFPA #88B. In Canada, installation of heaters in airplane hangars must be in accordance with the requirements of the enforcing authority, and in public garages in accordance with the current CSA-B149 codes.
9. In aircraft hangars, keep the bottom of the unit at least 10' from the highest surface of the wings or engine enclosure of the highest aircraft housed in the hangars and in accordance with the requirements of the enforcing authority and/or NFPA 409-latest edition.
10. Installation of units in high humidity or salt water atmospheres will cause accelerated corrosion resulting in a reduction of the normal life of the units.
11. Do not install units below 7' measured from the bottom of the unit to the floor in commercial applications (unless unit is properly guarded to provide user protection from moving parts) and 5' measured from the bottom of the unit to the floor in residential applications.
12. Be sure no obstructions block air intake and discharge of unit heaters.
13. The minimum distance from combustible material is based on the combustible material surface not exceeding 160°F. Clearance from the top of the unit may be required to be greater than the minimum specified if heat damage, other than fire, may occur to materials above the unit heater at the temperature described.
14. Allow 18" of clearance at rear (or 6" beyond end of motor at rear of unit, whichever is greater) and access side to provide ample air for combustion and proper operation of fan.
15. Installation must conform with local building codes or in the absence of local codes, with Part 7, Venting of Equipment, of the National Fuel Gas Code, ANSI Z223.1 (NFPA 54) - latest edition. In Canada installation must be in accordance with CSA-B149.1.
16. Purging of air from gas supply line should be performed as described in ANSI Z223.1 - latest edition "National Fuel Gas Code", or in Canada in CSA-B149 codes.

SPECIAL PRECAUTIONS / SI (METRIC) CONVERSION FACTORS

⚠ CAUTION

17. When leak testing the gas supply piping system, the appliance and its combination gas control must be isolated during any pressure testing in excess of 14" W.C. (1/2 psi).
18. The unit should be isolated from the gas supply piping system by closing its field installed manual shut-off valve. This manual shut-off valve should be located within 6' of the heater.
19. Turn off all gas before installing appliance.
20. Ensure that the supply voltage to the appliance, as indicated on the serial plate, is not 5% less than the rated voltage.
21. Check the gas inlet pressure at the unit upstream of the combination gas control. The inlet pressure should be 6-7" W.C. on natural gas or 12-14" W.C. on propane. If inlet pressure is too high, install an additional pressure regulator upstream of the combination gas control.
22. Servicing or repairing of this equipment must be performed by a qualified service agency.
23. Do not attempt to reuse any mechanical or electronic ignition controllers which has been wet. Replace defective controller.

IMPORTANT

1. To prevent premature heat exchanger failure, do not locate ANY gas-fired appliances in areas where corrosive vapors (i.e. chlorinated, halogenated or acid) are present in the atmosphere.
2. To prevent premature heat exchanger failure, the input to the appliance as indicated on the serial plate, must not exceed the rated input by more than 5%.
3. To check most of the Possible Remedies in the troubleshooting guide listed in Table 21.1 refer to the applicable sections of the manual.

SI (METRIC) CONVERSION FACTORS

To Convert	Multiply By	To Obtain
"W.C.	0.249	kPa
°F	(°F-32) x 5/9	°C
Btu	1.06	kJ
Btu/ft ³	37.3	kJ/m ³
Btu/hr	0.000293	kW
CFH (ft ³ /hr)	0.000472	m ³ /min
CFH (ft ³ /hr)	0.00000787	m ³ /s
CFM (ft ³ /min)	0.0283	m ³ /min
CFM (ft ³ /min)	0.000472	m ³ /s

To Convert	Multiply By	To Obtain
feet	0.305	m
Gal/Hr.	0.00379	m ³ /hr
Gal/Hr.	3.79	l/hr
gallons	3.79	l
Horsepower	746	W
inches	25.4	mm
pound	0.454	kg
psig	6.89	kPa
psig	27.7	"W.C.

BEFORE YOU BEGIN

⚠ CAUTION

1. All literature shipped with this unit should be kept for future use for servicing or service diagnostics. Leave manual with the owner. Do not discard any literature shipped with this unit.
2. Consult piping, electrical, and venting instructions in this manual before final installation.
3. Do not attach ductwork, air filters, or polytubes to any propeller unit heater.

In the U.S., the installation of these units must comply with the "National Fuel Gas Code," ANSI Z223.1, latest edition (also known as NFPA 54) and other applicable local building codes. In Canada, the installation of these units must comply with local plumbing or waste water codes and other applicable codes and with the current code CSA-B149.1.

1. All installation and service of these units must be performed by a qualified installation and service agency only as defined in ANSI Z223.1, latest edition or in Canada by a licensed gas fitter.
2. This unit is certified with the controls furnished. For replacements parts, please order according to the replacement parts list on serial plate. Always know your model and serial numbers. The right is reserved to substitute other authorized controls as replacements.
3. Unit is balanced for correct performance. Do not alter fan or operate motors at reduced speed.
4. Information on controls is supplied separately.
5. The same burner is used for natural and propane gas.

UNIT LOCATION

UNIT LOCATION



DANGER

Appliances must not be installed where they may be exposed to a potentially explosive or flammable atmosphere.



CAUTION

1. Clearances to combustible materials are critical. Be sure to follow all listed requirements.
2. Do not locate units in tightly sealed rooms or small compartments (commonly referred to as confined spaces) without provisions for adequate combustion air and venting. Combustion air must have access to the confined space through a minimum of two permanent openings in the enclosure, at least one near the bottom. They should provide a free area of one square inch per 1,000 BTU/Hr input rating of the unit with a minimum of 100 square inches for each opening, whichever is greater.
3. Low profile heaters are designed for use in heating applications with ambient temperatures between -40°F and 90°F.
4. Do not install unit outdoors.
5. In garages or other sections of aircraft hangars such as offices and shops that communicate with areas used for servicing or storage, keep the bottom of the unit at least 7' above the floor unless the unit is properly guarded. In parking garages, the unit must be installed in accordance with the standard for parking structures ANSI/NFPA 88A, and in repair garages the standard for repair garages NFPA #88B. In Canada, installation of heaters in airplane hangars must be in accordance with the requirements of the enforcing authority, and in public garages in accordance with the current CSA-B149 codes.
6. In aircraft hangars, keep the bottom of the unit at least 10' from the highest surface of the wings or engine enclosure of the highest aircraft housed in the hangars and in accordance with the requirements of the enforcing authority and/or NFPA 409-latest edition.
7. Installation of units in high humidity or salt water atmospheres will cause accelerated corrosion resulting in a reduction of the normal life of the units.

IMPORTANT

To prevent premature heat exchanger failure, do not locate ANY gas-fired appliances in areas where corrosive vapors (i.e. chlorinated, halogenated or acid) are present in the atmosphere.

Location Recommendations

1. When locating the heater, consider general space and heating requirements, availability of gas and electrical supply, and proximity to vent locations.
2. When locating units, it is important to consider that the exhaust vent piping must be connected to the outside atmosphere.
3. Be sure the structural support at the unit location site is adequate to support the unit's weight. For proper operation the unit must be installed in a level horizontal position.
4. Do not install units in locations where the flue products can be drawn into the adjacent building openings such as windows, fresh air intakes, etc.
5. Be sure that the minimum clearances to combustible materials and recommended service clearances are maintained. Units are designed for installation with the minimum clearances as shown in Table 4.1.

Table 4.1 Clearances

Unit Side	Clearance To Combustible Materials	Recommended Service Clearance
Top and Bottom	1"	1"
Access Side	18"	18"
Non-Access Side	1"	1"
Rear	18"	18"
Vent Connector	4"	4"

6. Do not install units in locations where gas ignition system is exposed to water spray, rain, or dripping water.
7. Mounting Height (measured from bottom of unit) at which unit heaters are installed is critical. Refer to mounting height and heat throw data on pages 19-20 of this manual. The maximum mounting height for any unit is that height above which the unit will not deliver heated air to the floor.

Combustion Air Requirements

The National Fuel Gas Code defines an "unconfined space" as a space whose volume is greater than 50 cubic feet per 1,000 Btu/Hr input of the installed appliance(s). A confined space is 50 cubic feet or less per 1,000 Btu/Hr input of the installed appliance(s).

It is not recommended to install these unit heaters into residential confined spaces. This recommendation is due to the concern that at some point in time, the combustion air openings provided by the installer may become blocked or eliminated by the owner, either intentionally or unintentionally. Despite this commendation, if these units are installed into a residential confined space, see National Fuel Gas Code ANSI Z223.1 or CSA B149.1 Installation Code, latest edition, for detailed combustion air provisions. These requirements must be adhered to.

Units installed into confined spaces in industrial/commercial installations must be provided with two permanent openings - one near the top and one near the bottom of the confined space. Each opening should have a free area of not less than one square inch per 1,000 Btu/Hr of the total input rating of all units in the confined space, freely communicating with interior areas having, in turn, adequate infiltration from the outside.

For further details on supplying combustion or to a confined (tightly sealed) space or unconfined space, see the National Fuel Gas Code ANSI Z223.1 or CSA B149.1 Installation Code, latest edition.

Turning The Unit 180° (Model Sizes 30-75 Only)

All units are produced at the factory with left-side controls (when looking at the unit). If the installation requires the controls to be on the right side, all heaters - with the exception of the HD/HDB 100 and 125 - can be turned-over by following the instructions below.

- By turning the unit 180° from the way it was received from the factory, the sides become opposite but the front and back remain in the same relative position. The bottom panel now becomes the top panel and vice-versa.
- Remove the access panel, turn it 180°, and re-attach it to the unit so that all the information labels can be read.
- Remove the spring loaded deflector blades, turn them over, replace, and adjust so they are open and in a position to direct the heated air down to the floor.

UNIT MOUNTING

CAUTION

1. Do not install units below 7' measured from the bottom of the unit to the floor in commercial applications (unless unit is properly guarded to provide user protection from moving parts) and 5' measured from the bottom of the unit to the floor in residential applications.
2. Be sure no obstructions block air intake and discharge of unit heaters.
3. The minimum distance from combustible material is based on the combustible material surface not exceeding 160°F. Clearance from the top of the unit may be required to be greater than the minimum specified if heat damage, other than fire, may occur to materials above the unit heater at the temperature described.
4. Allow 18" clearance at rear (or 6" beyond end of motor at rear of unit, whichever is greater) and access side to provide ample air for combustion and proper operation of fan.

1. Be sure the means of suspension is adequate to support the weight of the unit (see pages 19-20 for unit weights).
2. For proper operation, the unit must be installed in a level horizontal position.
3. Clearances to combustibles as previously specified must be strictly maintained.
4. Before lifting the heater for suspension, the mounting brackets must be installed as follows:
 - For standard (left side) control access, remove the (3) screws and mounting bracket along the top edge of both the front and back of the unit. Install the front bracket as shown in Figure 5.1 by aligning the screw holes on the bracket with the screw holes on the top edge of the unit. Repeat for the bracket on the back of the unit.
 - For right side control access, remove the (3) screws and mounting bracket along the top edge of both the front and back of the unit. Turn the unit over and install the front bracket as shown in Figure 5.2 by aligning the screw holes on the bracket with the screw holes on the top edge of the unit (originally the bottom edge). Repeat for the bracket on the back of the unit.

Figure 5.1
Unit Heater in Standard Mounting Configuration

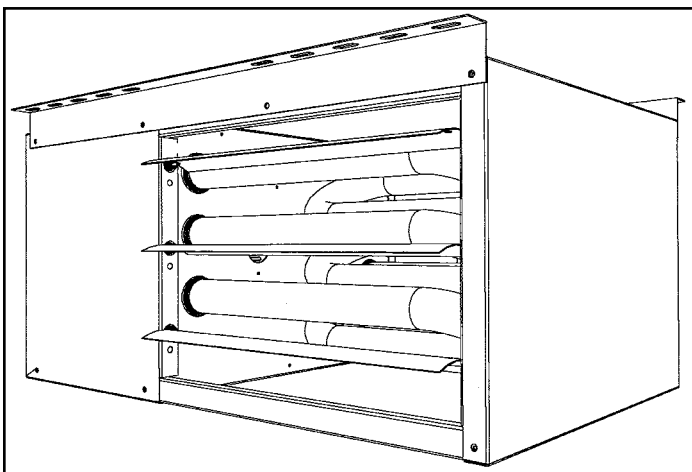
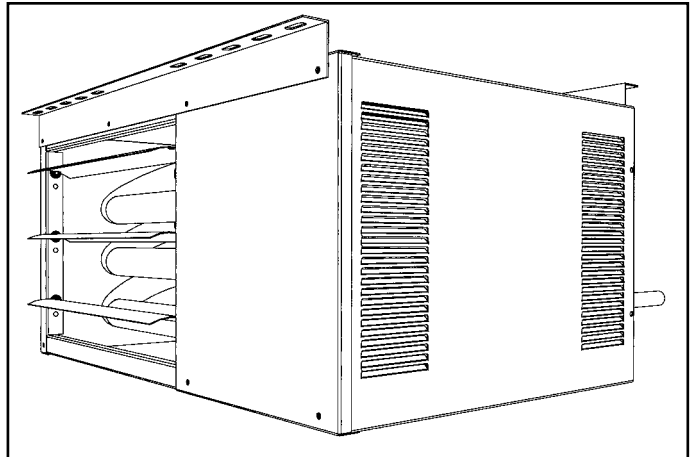


Figure 5.2
Unit Heater Turned 180° (30-75 units only)
(Access panel and heated air outlet change sides)



- 5a. **Suspension by screws/lag bolts:** Secure the mounting brackets to the ceiling joists or truss, using 1/4" screws with 1/2" washers. These unit mounting brackets are slotted to accommodate joists on 16" or 24" centerlines.
- 5b. **Suspension by threaded rod:** The unit can also be hung with threaded rod utilizing the same mounting brackets. Attach the threaded rod to the unit mounting brackets, securing with a top and bottom nut.
Next, drill holes into a steel channel or angle iron at the same centerline dimensions as those chosen for the heater being installed. The steel channels or angle iron pieces need to span and be fastened to appropriate structural members. Cut the threaded rods to the preferred length, push them through the holes in the steel channel or angle iron and secure with washers and lock nuts, lock washers and nuts, or a double nut arrangement.
- 5c. **Shelf mounted units:** The unit heater can also be installed on a shelf. The mounting brackets will need to be attached to the heater the same manner as explained in note #4, however, to mount on a shelf the brackets must go on the bottom of the heater. The brackets must be affixed to the shelf using similar screws (1/4" screw with 1/2" washer) as overhead joist or truss mounting. Be sure all clearance to combustible requirements are met.

INSTALLATION - VENTING

⚠ WARNING

1. Gas fired heating equipment must be vented - do not operate unvented.
2. A built-in power exhauster is provided - additional external power exhausters are not required or permitted.
3. If you are replacing an existing heater, it may be necessary to resize the venting systems. Improperly sized venting systems can result in vent gas leakage or the formation of condensate. Refer to the National Fuel Gas Code ANSI Z223.1 or CSA B149.1 latest edition. Failure to follow these instructions can result in serious injury or death.
4. Under no circumstances should two sections of double wall vent pipe be joined together within one horizontal vent system due to the inability to verify complete seal of inner pipes.

⚠ CAUTION

Installation must conform with local building codes or in the absence of local codes, with Part 7, Venting of Equipment, of the National Fuel Gas Code, ANSI Z223.1 (NFPA 54) - latest edition. In Canada installation must be in accordance with CSA B149.1.

Model HD/HDB unit heaters must be vented with the proper passageway as described in these instructions to convey flue gases from the unit or the vent connector to the outside atmosphere.

The venting instructions are organized in sections, based on installation type. The sections are identified as follows:

Instructions Section	Applicable Installation Instructions by Vent System Type
A	General instructions for ALL installations
B	VERTICAL vent systems ①
C	HORIZONTAL Category III vent systems ①
D	HORIZONTAL Category I vent systems ①

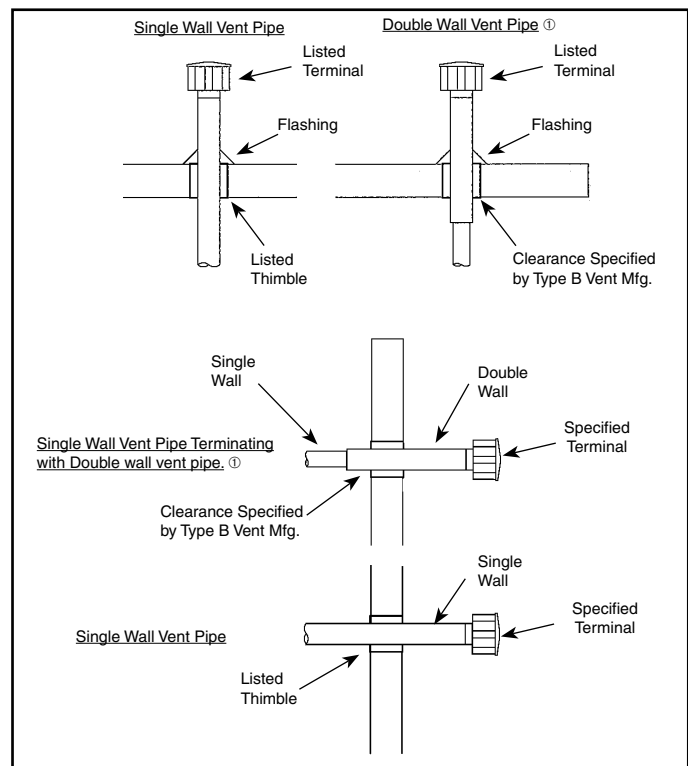
① The differences between Vertical, Horizontal Category III, and Horizontal Category I will be identified in "Section A - General Instructions - All Units".

Section A – General Instructions – All Units

- A1. If the unit heater being installed is replacing existing equipment and using the existing vent system from that equipment, inspect the venting system for proper size and horizontal pitch, as required in the National Fuel Gas Code ANSI Z223.1 or CSA B149.1 Installation Code-latest edition and these instructions. Determine that there is no blockage or restriction, leakage, corrosion and other deficiencies, which could cause an unsafe condition.
- A2. The vent pipe should be galvanized steel or other suitable corrosion resistant material (except for Horizontal Category III vent systems, which will be covered in "Section C – Horizontal, Category III Vent System Installation"). Follow the National Fuel Gas Code for minimum thickness of vent material. The minimum thickness for connectors varies depending on the pipe diameter. Do not vent unit with PVC or other forms of plastic venting material.
- A3. All heaters come with a factory installed vent adapter for attaching the vent pipe to the heater (3" for model sizes 30-75, 4" for model sizes 100-125). Attach the vent pipe to the adapter with 3 non-corrosive screws. (Drill pilot holes through the vent pipe and adapter prior to screwing in place).

- A4. A minimum of 12" straight pipe is recommended from the flue outlet before turns in the vent pipe.
- A5. Horizontal sections of vent pipe are to be installed with a minimum downward slope from the appliance of 1/4 inch per foot and suspended securely from overhead structures at points not greater than 3' apart.
- A6. Fasten individual lengths of vent together with at least three corrosion resistant sheet metal screws.
- A7. Keep single wall vent pipe at least 6" from combustible materials. For double wall vent pipe, follow the vent pipe manufacturer's clearances to combustibles. The minimum distance from combustible materials is based on the combustible material surface not exceeding 160°F. Clearance from the vent pipe (or the top of the unit) may be required to be greater than 6" if heat damage other than fire could result (such as material distortion or discoloration).
- A8. Avoid venting through unheated space when possible. When venting does pass through an unheated space or if the unit is installed in an environment that promotes condensation, insulate runs greater than 5' to minimize condensation. Inspect for leakage prior to insulating and use insulation that is noncombustible with a rating of not less than 400°F. Install a tee fitting at the low point of the vent system and provide a drip leg with a clean out cap as shown in Figure 8.1.
- A9. When the vent passes through a combustible INTERIOR wall or floor, a metal thimble 4" greater than the vent diameter is necessary. If there is 6' or more of vent pipe in the open space between the appliance and where the vent pipe passes through the wall or floor, the thimble need only be 2" greater than the diameter of the vent pipe. If a thimble is not used, all combustible material must be cut away to provide 6" of clearance. Where authorities have jurisdiction type B vent may be used for the last section of vent pipe to maintain clearance to combustibles while passing through wall or floor. See Figure 6.1. Any material used to close the opening must be noncombustible.

Figure 6.1
Venting Through Combustible Roof or Wall



① See Instruction A10 for attaching single wall pipe to double wall pipe

INSTALLATION - VENTING

A10. The following are General Instructions for Double Wall (Type B) Terminal Pipe Installation:

How to attach a single wall vent terminal to double wall (type B) vent pipe:

1. Look for the "flow" arrow on the vent pipe.
2. Slide the vent terminal inside the exhaust end of the double wall vent pipe.
3. Drill (3) holes through the pipe and the vent terminal. Using 3/4" long sheet metal screws, attach the cap to the pipe. Do not over tighten.

How to connect a single wall vent system to a double wall (type B) vent pipe:

1. Slide the single wall pipe inside the inner wall of the double wall pipe.
2. Drill (3) holes through both walls of the single and double wall vent pipes. Using 3/4" sheet metal screws, attach the two pieces of pipe. Do not over tighten.
3. The gap between the single and double wall pipe must be sealed but it is not necessary to fill the full volume of the annular area. To seal, run a large bead of 400°F silastic around the gap.

A11. Vent termination clearances must be maintained:

Table 7.1 - Vent Termination Clearances

Structure	Minimum Clearances for Vent Terminal Location
Forced air inlet within 10 feet	3 feet above
Combustion air inlet of another appliance	6 feet all directions
Door, window, gravity air inlet, or any building opening	4 feet horizontal and below 1 foot above
Electric meter, gas meter, gas regulator, and relief equipment ①	4 feet horizontal (U.S.) 6 feet horizontal (Canada)
Gas regulator ①	3 feet horizontal (U.S.) 6 feet horizontal (Canada)
Adjoining building or parapet wall	6 feet all directions
Adjacent public walkways	7 feet all directions
Grade (ground level)	3 feet above ②

① Do not terminate the vent directly above a gas meter or regulator.

② The vent must be at least 6" higher than anticipated snow depth.

A12. Do NOT use dampers or other devices in the vent or combustion air pipes.

A13. Precautions must be taken to prevent degradation of building materials by flue products.

A14. Single wall vent pipe must not pass through any unoccupied attic, inside wall, concealed space, or floor.

A15. Uninsulated single wall vent pipe must not be used outdoors for venting appliances in regions where the 99% winter design temperature is below 32°F.

A16. In addition to following these General Instructions, specific instructions for Vertical, Horizontal Category III, or Horizontal Category I vent systems must also be followed. Table 7.2 outlines the differences:

Table 7.2 - ANSI Unit Heater Venting Requirements

Category	Description	Venting Requirements
I	Negative vent pressure Non-condensing	Follow standard venting requirements.
II	Negative vent pressure Condensing	Condensate must be drained.
III	Positive vent pressure Non-condensing	Vent must be gas tight.
IV	Positive vent pressure Condensing	Vent must be liquid and gastight. Condensate must be drained.

Note: Vent connectors serving Category I appliances shall not be connected into any portion of mechanical draft systems operating under positive pressure.

Vertical Category I Vent System Determination

- Vertical vent systems terminate vertically (up).
- The horizontal portion of the vent run cannot exceed 75% of the vertical rise (Example: If the vent height is 10 feet, the horizontal portion of the vent system cannot exceed 7.5 feet).
- The vent terminates a minimum of 5' above the vent connector on the unit.
- If the vent system to be installed meets ALL these criteria (an example is shown in Figure 9.1), proceed to "Section B – Vertical Vent System Installation". For all other cases, proceed to the next section to determine if the installation is Horizontal Category I or Horizontal Category III.

Horizontal Category I/III Vent System Determination

- Horizontal vent systems terminate horizontally (sideways).
- A vent system that terminates vertically but has a horizontal run that exceeds 75% of the vertical rise is considered horizontal.

Most horizontal vent configurations are Category III. For residential installations, this requires the use of an agency approved (UL1728) Category III stainless steel vent system. Additional requirements, including those for commercial and industrial installations are covered in "Section C – Horizontal, Category III Vent System Installation".

If the application is residential and specific vent dimensions and termination limitations are followed, the use of a less expensive Category I vent system may be used. These limitations are summarized in Table 7.3.

Table 7.3 Horizontal Category I Vent System Limitations

Model Size	Vent Terminal	Maximum No. of Elbows	Minimum Vertical Rise From Horizontal (in)	Maximum Horizontal Vent Length (ft)	Vent Diameter (in)
30	TEE	1	0	10	5
	TEE	1	0	5	4
	Cap	2 ①	4 ②	10	5
	Cap	2 ①	12 ②	5	4
45	Cap	2 ①	18 ②	10	4
	TEE	1	0	10	5
	Cap	2 ①	12 ②	10	5
60	Cap	2 ①	18 ②	5	4
	TEE	1	0	10	5
	Cap	2 ①	15 ②	10	5
75	TEE	1	0	5	5
	Cap	2 ①	18 ②	5	5
100	TEE	1	0	10	6
	Cap	2	30	5	6
125	TEE	1	0	10	6
	Cap	2	30	5	6

① One of the two allowed elbows is required to create the vent extension shown in figures 12.3 and 12.4.

② The vertical rise gained from an elbow is 4". Therefore, 4" may be subtracted from the length of vertical pipe needed in the vent extension. If the minimum vertical rise required is 4" you do not need to add a section of vertical pipe to the vent extension.

If the conditions noted above for horizontal Category I venting exist, instructions in "Section D – Horizontal, Category I Vent System Installation" can be followed. Otherwise, proceed to "Section C – Horizontal, Category III Vent System Installation".

INSTALLATION - VENTING

Section B – Vertical Vent System Installation

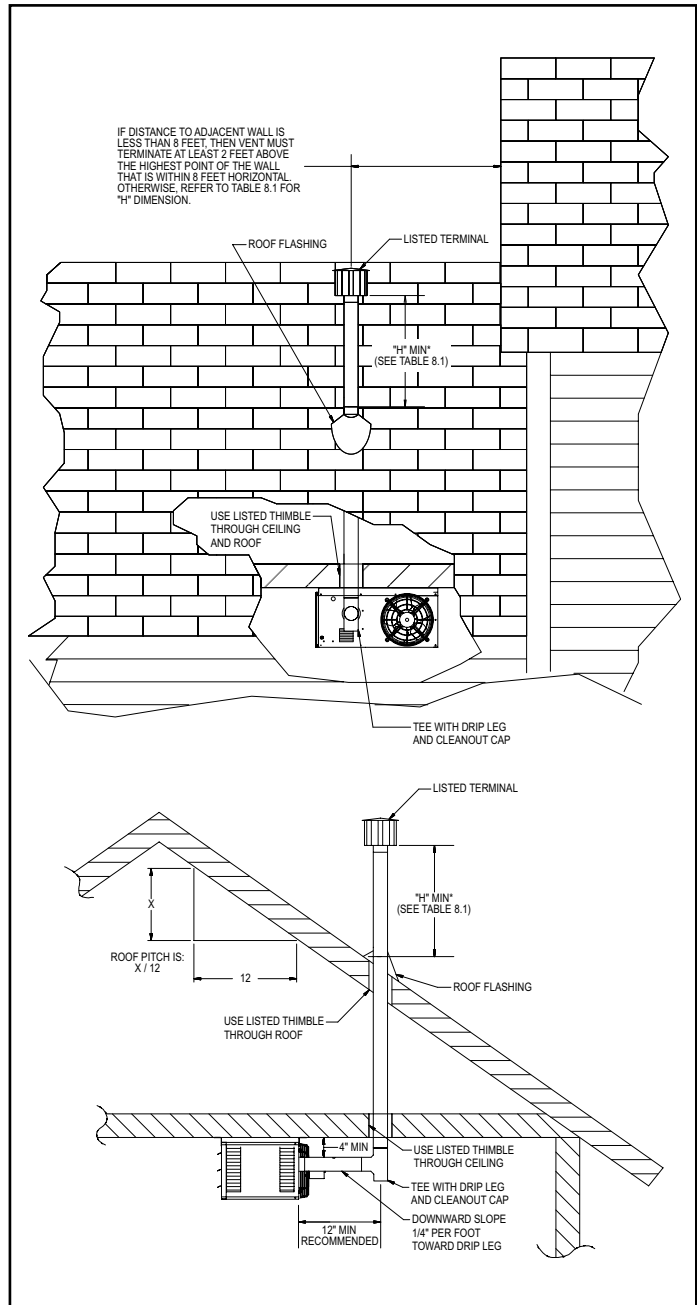
- B1. This section applies to vertically vented Category I vent systems and is in addition to “Section A – General Instructions – All Units”.
- B2. Vertical vent systems terminate vertically.
- B3. The horizontal portion of the vent run cannot exceed 75% of the vertical rise (Example: If the vent height is 10 feet, the horizontal portion of the vent system cannot exceed 7.5 feet).
- B4. It is recommended to install a tee with drip leg and clean out cap as shown in Figure 8.1.
- B5. The vent terminates a minimum of 5' above the vent connector on the unit.
- B6. All vertically vented heaters that are Category I must be connected to a chimney or vent complying with a recognized standard, or a lined masonry (or concrete) chimney with a material acceptable to the authority having jurisdiction. Venting into an unlined masonry chimney is not permitted. Refer to the National Fuel Gas Code for common venting and pages 13-14 of this manual.
- B7. Use a listed vent terminal to reduce down drafts and moisture in the vent.
- B8. Double wall vent pipe is recommended, although single wall can be used if the requirements of the National Fuel Gas Code are followed.
- B9. Vertical vents must terminate a minimum horizontal and vertical distance from roof lines and adjacent walls or obstructions. These minimum distances are outlined as follows (based on National Fuel Gas Code requirements for vents with diameters less than 12”):
 - For **double wall** vent pipe and **8' or greater** horizontal distance to any vertical wall or similar obstruction, the vent must terminate above the roof in accordance with Figure 8.1 and Table 8.1.
 - For **double wall** vent pipe and **less than 8'** horizontal distance to any vertical wall or similar obstruction, the vent must terminate at least 2' above the highest point where it passes through a roof of a building and at least 2' higher than any portion of a building within a horizontal distance of 10'. See Figure 8.1.

Table 8.1 - Minimum Height from Roof to Lowest Discharge Opening

Rise X (in)	Roof Pitch	Min Height H (ft) ①
0-6	Flat to 6/12	1.00
6-7	6/12 to 7/12	1.25
7-8	7/12 to 8/12	1.50
8-9	8/12 to 9/12	2.00
9-10	9/12 to 10/12	2.50
10-11	10/12 to 11/12	3.25
11-12	11/12 to 12/12	4.00
12-14	12/12 to 14/12	5.00
14-16	14/12 to 16/12	6.00
16-18	16/12 to 18/12	7.00
18-20	18/12 to 20/12	7.50
20-21	20/12 to 21/12	8.00

① Size according to expected snow depth.

Figure 8.1 - Vertical Vent Termination for Double Wall Vent Pipe and Greater Than or Less Than 8' Horizontally From a Vertical Wall or Obstruction



INSTALLATION - VENTING

Section C – Horizontal, Category III Vent System Installation

- C1. This section applies to horizontally vented Category III vent systems and is in addition to “Section A – General Instructions – All Units”.
- C2. All heaters that are horizontally vented with 3" (for sizes 30-75) or 4" (for sizes 100 and 125) vent pipe perform as a Category III appliance. Category III venting has special venting requirements as follows:
- All **residential**, horizontally vented Category III heaters must be vented with an agency certified (UL1728) Category III venting system. Agency certified Category III venting systems are available from your local vent pipe distributor. Follow the agency certified Category III vent manufacturers instructions for installations.
 - For **commercial and industrial** horizontally vented heaters you may use either agency certified Category III venting systems as noted above, or single wall vent pipe is used, all seams and joints must be sealed with metallic tape or silastic suitable for temperatures up to 400°F. Wrap the tape two full turns around the vent pipe. For single wall vent systems, one continuous section of double wall vent pipe may be used within the vent system. Refer to instruction A10 in “Section A – General Instructions – All Units” for attaching double wall pipe to single wall pipe.
- C3. Limit the total equivalent vent pipe length to a minimum of 3' and a maximum of 30', making the vent system as straight as possible. The equivalent length of a 3" elbow is 1' and for a 4" elbow is 5'.
- C4. All horizontal Category III vents must be terminated with a Gary Steel 1092 vent cap. The cap must terminate a minimum distance from the external wall, as summarized in Table 10.1.

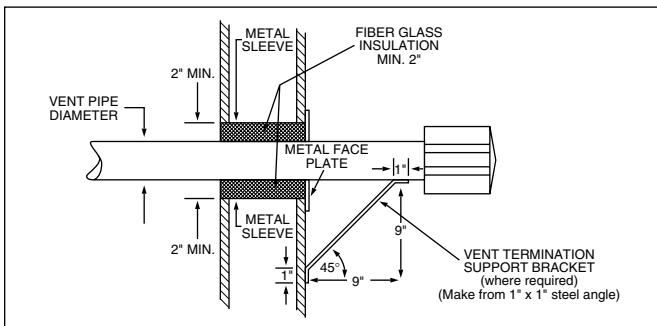
Table 10.1
Minimum Length Between External Wall and Vent

Model Size	Application	Min. Length A ①
30-75	Residential & Commercial	11"
100, 125	Residential	12"
100, 125	Commercial	24"

① Refer to Figure 10.2 and 10.3.

- C5. The vent must be supported as shown in Figure 10.1.

Figure 10.1 - Exhaust Vent Construction Through Combustible Walls and Support Bracket



- C6. When condensation may be a problem, the vent system shall not terminate over public walkways or over an area where condensate or vapor could create a nuisance or hazard or could be detrimental to the operation of regulators, relief openings, or other equipment.
- C7. The venting system must be exclusive to a single unit, and no other unit is allowed to be vented into it. For common venting, the unit must be vented as a Category I appliance. Please refer to “Section D – Horizontal, Category I Vent System Installation.”
- C8. When vented horizontally, maintain a 1/4" per foot rise away from the heater and place a drip leg with clean out near the unit as shown in Figure 10.2. Where local authorities have jurisdiction, a 1/4" per foot downward slope is acceptable with a drip leg and clean out near the exit of the vent as shown in Figure 10.3, or allow the condensate to drip out the end.

Figure 10.2 - Horizontal Category III Venting with Upward Pitch

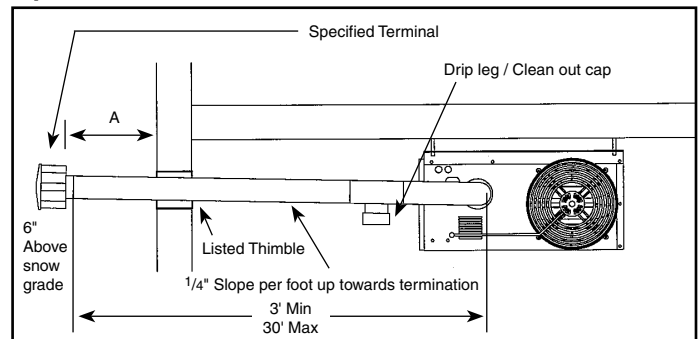
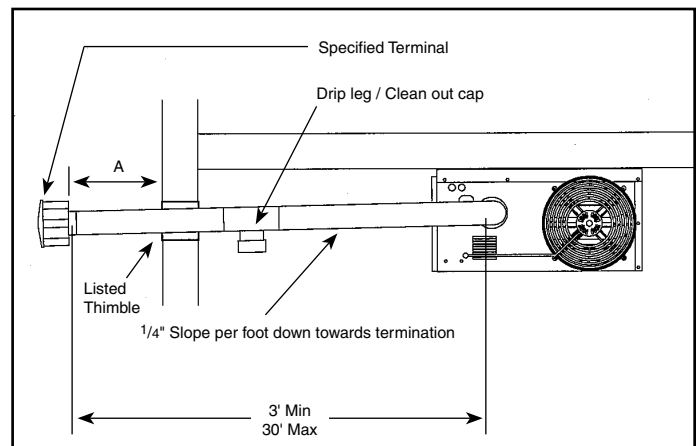


Figure 10.3 - Horizontal Category III Venting with Downward Pitch (with drip leg)



- C9. For a vent termination located under an eave, the distance of the overhang must not exceed 24". The clearance to combustibles above the exterior vent must be maintained at a minimum of 12". Consult the National Fuel Gas Code for additional requirements for eaves that have ventilation openings.
- C10. Once venting is complete, proceed section titled “Installation – Gas Connections”.

INSTALLATION - VENTING

Section D – Horizontal, Category I Vent System Installation (Residential Only)

- D1. This section applies to horizontally vented Category I vent systems and is in addition to “Section A – General Instructions – All Units”.
- D2. Units can be vented with a Horizontal Category I vent system for residential installations only. If the installation is non-residential, please refer to “Section C – Horizontal, Category III Vent System Installation” for proper venting instructions.
- D3. All heaters installed with Category I horizontal vents must be equipped with a vent transition to 4" or 5" vent diameter for sizes 30-75 and 6" for sizes 100-125. All portions of the vent system shall consist of 4", 5", or 6" diameter single wall vent pipe and fittings. The requirements for selection of vent diameter are shown in Table 11.1.

Table 11.1 Horizontal Category I Vent System Limitations

Model Size	Vent Terminal	Maximum No. of Elbows	Minimum Vertical Rise From Horizontal (in)	Maximum Horizontal Vent Length (ft)	Vent Diameter (in)
30	TEE	1	0	10	5
	TEE	1	0	5	4
	Cap	2 ①	4 ②	10	5
	Cap	2 ①	12 ②	5	4
	Cap	2 ①	18 ②	10	4
45	TEE	1	0	10	5
	Cap	2 ①	12 ②	10	5
	Cap	2 ①	18 ②	5	4
60	TEE	1	0	10	5
	Cap	2 ①	15 ②	10	5
75	TEE	1	0	5	5
	Cap	2 ①	18 ②	5	5
100	TEE	1	0	10	6
	Cap	2	30	5	6
125	TEE	1	0	10	6
	Cap	2	30	5	6

① One of the two allowed elbows is required to create the vent extension shown in figures 12.3 and 12.4.

② The vertical rise gained from an elbow is 4". Therefore, 4" may be subtracted from the length of vertical pipe needed in the vent extension. If the minimum vertical rise required is 4" you do not need to add a section of vertical pipe to the vent extension.

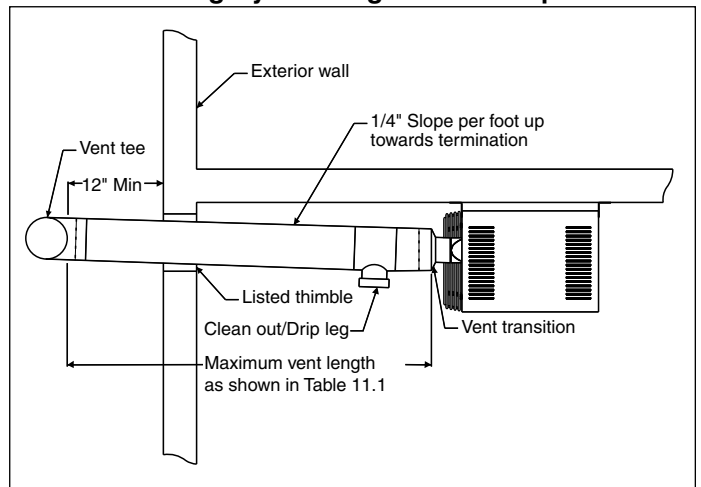
D4. All seams and joints of the single wall pipe must be sealed with metallic tape or silastic suitable for temperatures up to 400°F. Wrap the tape two full turns around the vent pipe. One continuous section of double wall vent pipe may be used within the vent system. Refer to instruction A10 in “Section A – General Instructions – All Units” for attaching double wall pipe to single wall pipe.

D5. The maximum length of the horizontal run of the vent shall be limited to the length listed in Table 11.1. The vent terminal for a horizontal category I vent may be either a standard vent TEE or a Gary Steel 1092. The maximum number of elbows, slope of the horizontal section, and minimum vertical rise from horizontal vent pipe for each configuration is listed in Table 11.1.

- When using a standard vent TEE, the preferred orientation is for the open ends of the TEE to be oriented horizontally. In this orientation, the minimum clearance to combustibles is 6" above the TEE to the eave. If the TEE is oriented vertically, the minimum clearance to combustibles is 27" above the TEE to the eave. Refer to Figure 12.1. The vent TEE should incorporate a bird screen made from corrosion resistant material. The individual strands of mesh in the bird screen must be located at least 1/4" apart.
- When using a vent cap, the minimum clearance to combustibles is 6" above the cap to the eave. Refer to Figure 12.1.

D6. When vented horizontally, maintain a 1/4" per foot rise away from the heater. Place a drain tee and clean out near the vent connector. See Figures 11.1 and 12.3. Where local authorities have jurisdiction, a 1/4" per foot downward slope is acceptable. The Condensate is allowed to drip out of the end when using a TEE terminal. See Figure 12.2. When using a vent cap with an extension, a 3/8" diameter hole is drilled in the low point of the vent by the installer exterior to the space to allow condensation drainage. See Figure 12.4.

Figure 11.1 Horizontal Category I Venting -TEE With Upward Pitch



D7. If the unit will not be common vented with other appliances, then proceed to the section titled "Installation - Gas Connections". Otherwise, proceed to page 13.

INSTALLATION - VENTING

Figure 12.1
Horizontal Category I Venting - Clearance to Eave

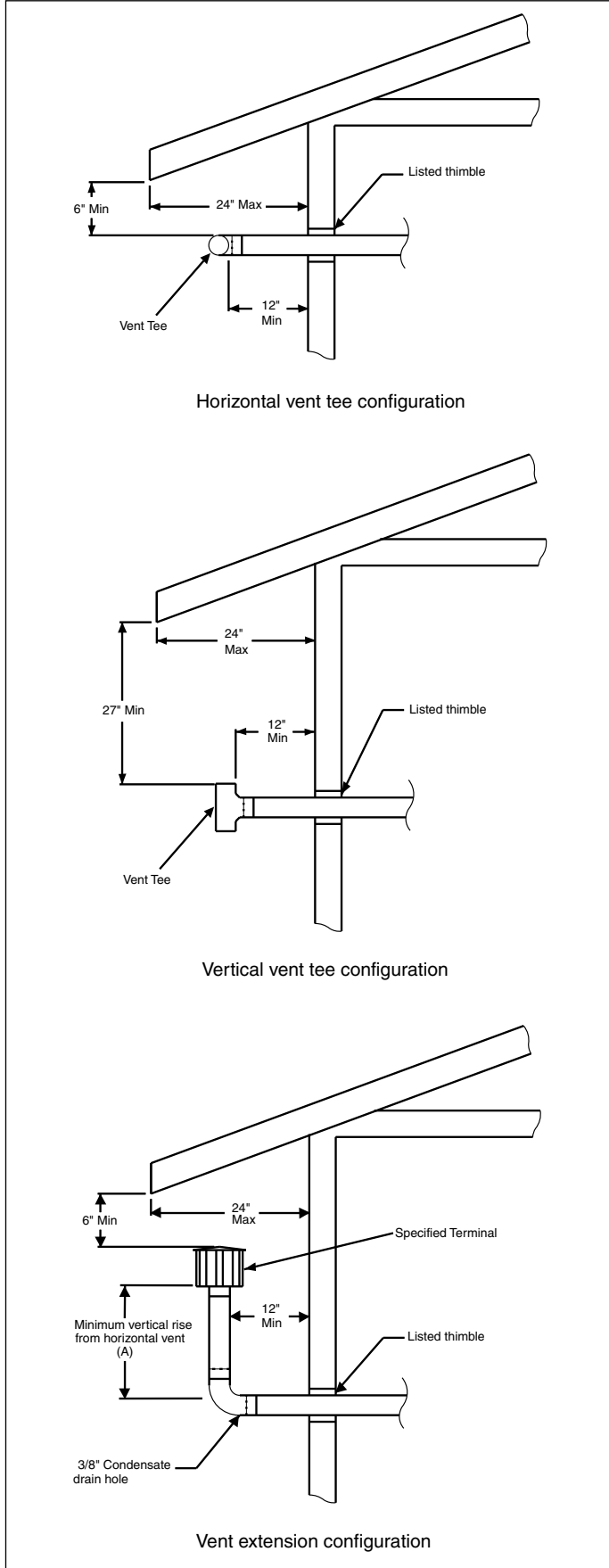


Figure 12.2
Horizontal Category I Venting -
TEE With Downward Pitch

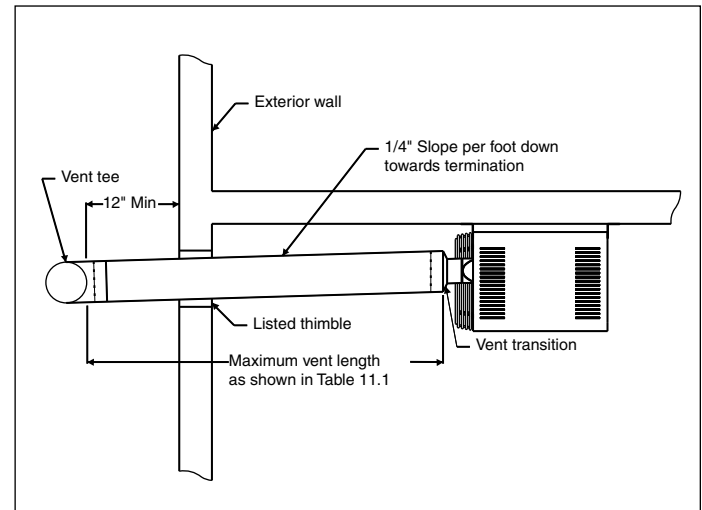


Figure 12.3
Horizontal Category I Venting -
Vent Extension With Upward Pitch

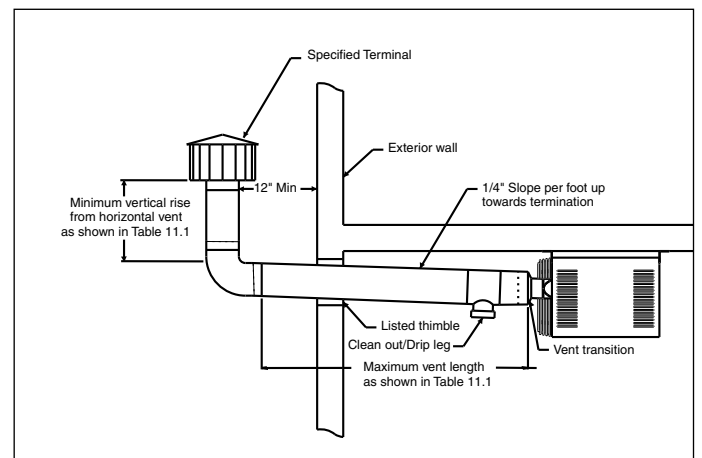
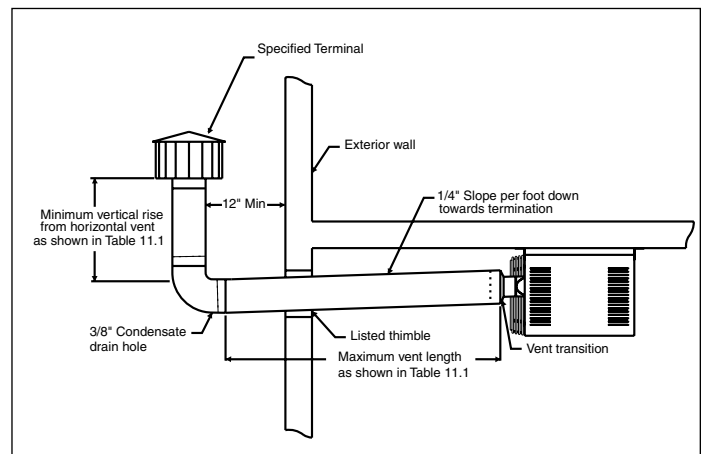


Figure 12.4
Horizontal Category I Venting -
Vent Extension With Downward Pitch



INSTALLATION - VENTING

Additional Requirements for Common Venting:

1. The common vent system and all attached appliances must be Category I.
2. The vent connector should be routed in the most direct route from the units to the common vent.
3. Where two or more vent connectors enter a common gas vent or chimney flue, the smaller connector shall enter at the highest level consistent with the available head room or clearance to combustible material.
4. Restrictions within the common vent such as elbows should be minimized. Each elbow installed within the common portion of the venting system reduces maximum common vent capacity by 10% (refer to Tables 13.2 and 13.4 for capacity)
5. The vent connector capacities included in these tables allow for the use of two 90 degree elbows (or turns). For each additional elbow, the vent connector capacity shall be reduced by 10%. Refer to NFPA54/ IFEC tables for capacity ratings.
6. The common vent cross sectional area must be equal to or greater than the largest vent connector cross-sectional area.
7. If all appliances are located on one level of the building, the vent height shall be measured from the highest draft hood or vent connector to be installed within the common vent system (Refer to Figures 14.1 and 14.2).
8. All units must be vented in strict accordance of the common venting Tables 13.1 through 13.4.
9. All masonry chimneys must comply with all applicable local and national codes.
10. When combining multiple vent connectors into a manifold prior to the vertical portion of the common vent, the size of the common vent manifold and the common vent shall be determined by applying a 10% reduction (.90 x maximum vent capacity from Table 13.2 or 13.4) to the common vent capacity part of the common vent tables (refer to Figure 14.3). The length of the common vent manifold (Lm) may not exceed 18 inches per inch of manifold diameter.
11. Refer to the National Fuel Gas Code for instructions on multi-level common venting and exterior masonry chimneys as well as additional installation of the listed applications.

Table 13.1 - Maximum Vent Connector Horizontal Run (ft) Type B Vent connector and Type B Common Vent

Model	Connector Dia.	Vent Height					
		6 ft.	8 ft.	10 ft.	15 ft.	20 ft.	30 ft.
30	3	6	8	10	10	11	12
	4	4	4	4	5	5	6
	5	NA	NA	NA	NA	NA	NA
45	3	NA	NA	NA	4.5	9	13.5
	4	6	8	10	10	14	15
	5	NA	NA	NA	NA	NA	NA
60	3	NA	NA	NA	NA	NA	4.5
	4	6	8	10	15	20	23
	5	6	8	10	14	15	17
75	4	NA	NA	10	15	20	30
	5	6	8	10	15	20	24
100	4	NA	NA	NA	NA	NA	30
	5	6	8	10	15	20	30
	6	6	8	10	15	20	28
125	4	NA	NA	NA	NA	NA	NA
	5	NA	NA	NA	15	20	30
	6	6	8	10	15	20	30

Based on NFPA 54 (ANSI Z223.1)2002. For reference only.

Table 13.3 - Maximum Connector Horizontal Run (ft) Type B Vent connector with common vent into Masonry Chimney

Model	Connector Dia. (in)	Vent Height					
		6 ft.	8 ft.	10 ft.	15 ft.	20 ft.	30 ft.
30	3	4.5	4.5	4.5	4.5	4.5	4.5
	4	NA	NA	NA	NA	NA	NA
	5	NA	NA	NA	NA	NA	NA
45	3	4.5	4.5	4.5	4.5	4.5	4.5
	4	6	6	6	6	6	6
	5	NA	NA	NA	NA	NA	NA
60	3	NA	NA	NA	NA	NA	NA
	4	6	6	6	6	6	6
	5	7.5	7.5	7.5	7.5	7.5	7.5
75	4	NA	6	6	6	6	6
	5	7.5	7.5	7.5	7.5	7.5	7.5
100	4	NA	NA	NA	NA	6	6
	5	7.5	7.5	7.5	7.5	7.5	7.5
	6	9	9	9	9	9	9
125	4	NA	NA	NA	NA	NA	NA
	5	NA	NA	7.5	7.5	7.5	7.5
	6	9	9	9	9	9	9

Based on NFPA 54 (ANSI Z223.1)2002. For reference only.

Table 13.2 - Maximum total appliance input Capacities (MBh) Type B Vent connector and Type B Common Vent

Vent Height (ft)	Diameter of Common Vent							
	4 in.		5 in.		6 in.		7 in.	
	Fan+ Fan	Fan+ Nat	Fan+ Fan	Fan+ Nat	Fan+ Fan	Fan+ Nat	Fan+ Fan	Fan+ Nat
6	92	81	140	116	204	161	309	248
8	101	90	155	129	224	178	339	275
10	110	97	169	141	243	194	367	299
15	125	112	195	164	283	228	427	352
20	136	123	215	183	314	255	475	394
30	152	138	244	210	361	297	547	459

Based on NFPA 54 (ANSI Z223.1)2002. For reference only.

Table 13.4 - Maximum total appliance input Capacities (MBh) Type B Vent connector with common vent into Masonry Chimney

Vent Height (ft.)	Area of Common Vent							
	12 in ²		19 in ²		28 in ²		38 in ²	
	Fan+ Fan	Fan+ Nat	Fan+ Fan	Fan+ Nat	Fan+ Fan	Fan+ Nat	Fan+ Fan	Fan+ Nat
6	NA	74	NA	119	NA	178	NA	257
8	NA	80	NA	130	NA	193	NA	279
10	NA	84	NA	138	NA	207	NA	299
15	NA	NA	NA	152	NA	233	NA	334
20	NA	NA	NA	NA	NA	250	NA	368
30	NA	NA	NA	NA	NA	270	NA	404

Based on NFPA 54 (ANSI Z223.1)2002. For reference only.

INSTALLATION - VENTING / GAS CONNECTIONS

Figure 14.1
Common Venting into Double Wall B Vent

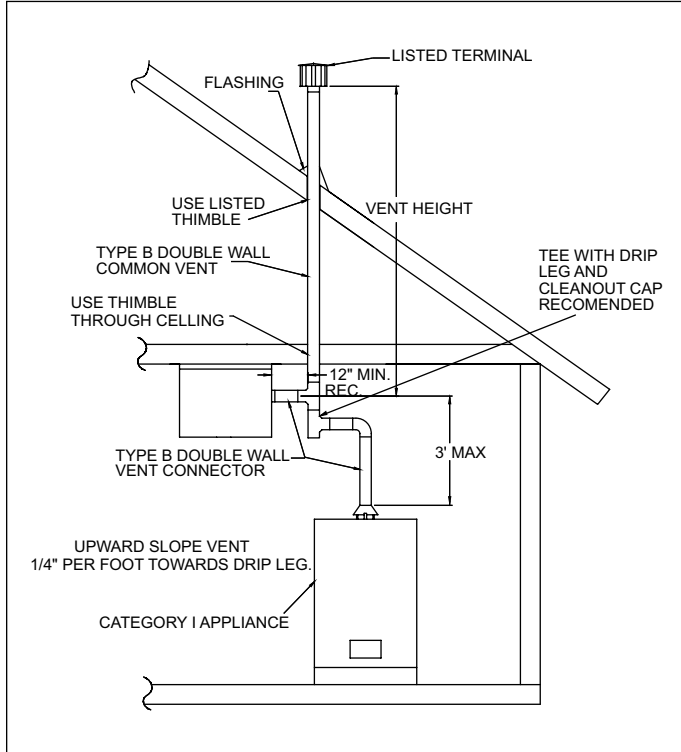


Figure 14.2
Common Venting into Masonry Chimney

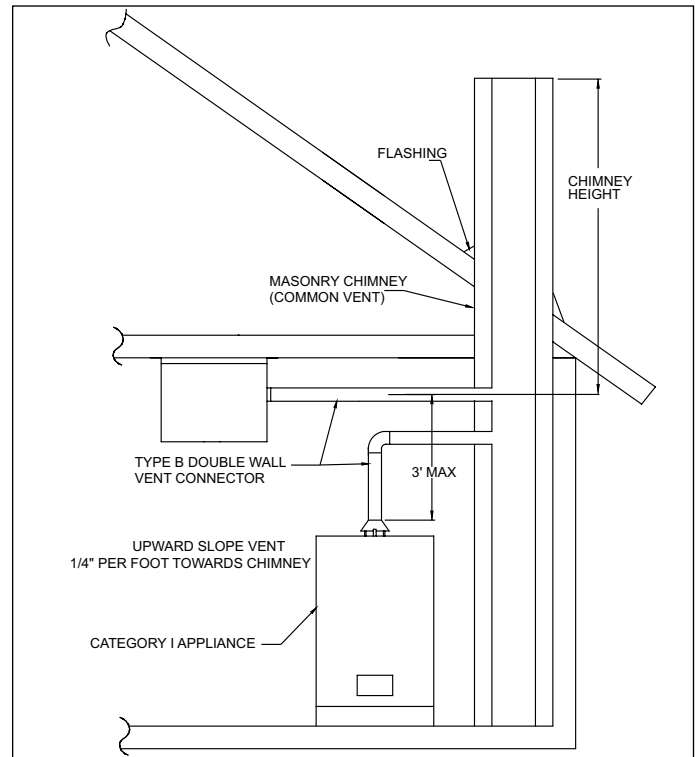
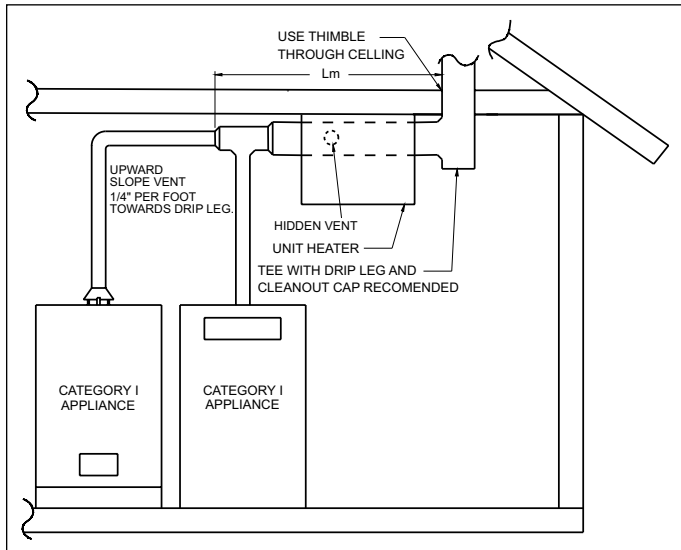


Figure 14.3
Common Venting into Manifold



GAS CONNECTIONS

! WARNING

1. All field gas piping must be pressure/leak tested prior to operation. Never use an open flame. Use a soap solution or equivalent for testing.
2. Gas pressure to appliance controls must never exceed 14" W.C. (1/2 psi).
3. To reduce the opportunity for condensation, the minimum sea level input to the appliance, as indicated on the serial plate, must not be less than 5% below the rated input, or 5% below the minimum rated input of dual rated units.

! CAUTION

1. Purging of air from gas lines should be performed as described in ANSI Z223.1 - latest edition "National Fuel Gas Code", or in Canada CSA-B149 codes.
2. When leak testing the gas supply piping system, the appliance and its combination gas control must be isolated during any pressure testing in excess of 14" W.C. (1/2 psi).
3. The unit should be isolated from the gas supply piping system by closing its field installed manual shut-off valve. This manual shut-off valve should be located within 6' of the heater.
4. Turn off all gas before installing appliance.

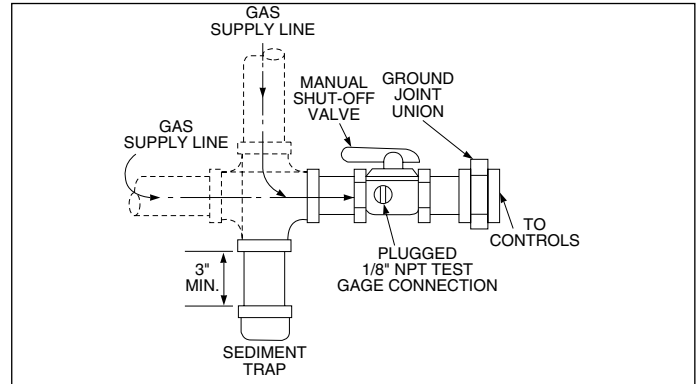
INSTALLATION - GAS CONNECTIONS

IMPORTANT

To prevent premature heat exchanger failure, the input to the appliance, as indicated on the serial plate, must not exceed the rated input by more than 5%.

1. Installation of piping must conform with local building codes, or in the absence of local codes, with the National Fuel Gas Code, ANSI Z223.1 (NFPA 54) - latest Edition. In Canada, installation must be in accordance with CSA-B149.1.
2. Piping to units should conform with local and national requirements for type and volume of gas handled, and pressure drop allowed in the line. Refer to Table 15.1 to determine the cubic feet per hour (CFH) for the type of gas and size of unit to be installed. Using this CFH value and the length of pipe necessary, determine the pipe diameter from Table 15.2. Where several units are served by the same main, the total capacity, CFH and length of main must be considered. Avoid pipe sizes smaller than 1/2". Table 15.2 allows for a 0.3" W.C. pressure drop in the supply pressure from the building main to the unit. The inlet pressure to the unit must be 6-7" W.C. for natural gas and 11-14" W.C. for propane gas. When sizing the inlet gas pipe diameter, make sure that the unit supply pressure can be met after the 0.3" W.C. has been subtracted. If the 0.3" W.C. pressure drop is too high, refer to the Gas Engineer's Handbook for other gas pipe capacities.
3. Install a ground joint union with brass seat and a manual shut-off valve adjacent to the unit for emergency shut-off and easy servicing of controls, including a 1/8" NPT plugged tapping accessible for test gauge connection (See Figure 15.1).
4. Provide a sediment trap before each unit in the line where low spots cannot be avoided. (See Figure 15.1).
5. When Pressure/Leak testing, pressures above 14" W.C. (1/2 psi), close the field installed shut-off valve, disconnect the appliance and its combination gas control from the gas supply line, and plug the supply line before testing. When testing pressures 14" W.C. (1/2 psi) or below, close the manual shut-off valve on the appliance before testing.

Figure 15.1
Recommended Sediment Trap/Manual Shut-off Valve Installation - Side or Bottom Gas Connection^①



① Manual shut-off valve is in the "OFF" position when handle is perpendicular to pipe.

Table 15.1 Manifold Pressure & Gas Consumption

Model Size	BTU/Cu. Ft. Specific Gravity	Natural	Propane	No. of Orifices
		1050 0.60	2500 1.53	
Manifold Pressure In. W.C.		3.5	10.0	
30	CFH	28.6	12.0	2
	Gal/Hr. Propane		.33	
	Sec/cu. ft.	126	300	
45	CFH	42.9	18.0	3
	Gal/Hr. Propane		.50	
	Sec/cu. ft.	84	200	
60	CFH	57.1	24.0	4
	Gal/Hr. Propane		.66	
	Sec/cu. ft.	63	150	
75	CFH	71.4	30.0	5
	Gal/Hr. Propane		.83	
	Sec/cu. ft.	50	180	
100	CFH	95.2	40	5
	Gal/Hr. Propane		1.09	
	Sec/cu. ft.	38	90	
125	CFH	119	50	5
	Gal/Hr. Propane		1.37	
	Sec/cu. ft.	30	72	
	Orifice Drill Size	42	53	

Table 15.2
Gas Pipe Capacities

Gas Pipe Capacities (Up to 14" W.C. Gas Pressure through Schedule 40 Pipe)													
Cubic Feet per Hour with Pressure Drop of 0.3" W.C.													
Natural Gas - Specific Gravity - 0.60													
Propane Gas - Specific Gravity - 1.50													
Length of Pipe (feet)	Pipe Diameter												
	1/2"		3/4"		1"		1-1/4"		1-1/2"		2"		
	Natural	Propane	Natural	Propane	Natural	Propane	Natural	Propane	Natural	Propane	Natural	Propane	
10	132	83	278	175	520	328	1050	662	1600	1008	3050	1922	
20	92	58	190	120	350	221	730	460	1100	693	2100	1323	
30	73	46	152	96	285	180	590	372	890	561	1650	1040	
40	63	40	130	82	245	154	500	315	760	479	1450	914	
50	56	35	115	82	215	135	440	277	670	422	1270	800	
60	50	32	105	66	195	123	400	252	610	384	1150	725	
70	46	29	96	60	180	113	370	233	560	353	1050	662	
80	43	27	90	57	170	107	350	221	530	334	930	586	
100	38	24	79	50	150	95	305	192	460	290	870	548	
125	34	21	72	45	130	82	275	173	410	258	780	491	
150	31	20	64	40	120	76	250	158	380	239	710	447	

INSTALLATION - ELECTRICAL CONNECTIONS

ELECTRICAL CONNECTIONS

⚠️ WARNING

1. Disconnect power supply before making wiring connections to prevent electrical shock and equipment damage.
2. All appliances must be wired strictly in accordance with wiring diagram furnished with the appliance. Any wiring different from the wiring diagram could result in a hazard to persons and property.
3. Any original factory wiring that requires replacement must be replaced with wiring material having a temperature rating of at least 105°C.
4. Ensure that the supply voltage to the appliance, as indicated on the serial plate, is not 5% greater than rated voltage.

⚠️ CAUTION

Ensure that the supply voltage to the appliance, as indicated on the serial plate, is not 5% less than the rated voltage.

All field installed wiring must be done in accordance with the National Electrical Code ANSI/NFPA 70 – latest edition or Canadian Electrical Code CSA C22.1 Part 1 or local codes. Unit must be electrically grounded according to these codes. If any of the original wire supplied with the heater must be replaced, replace it with wiring material having a temperature rating of at least 105°C.

The power to these unit heaters should be protected with a circuit breaker.

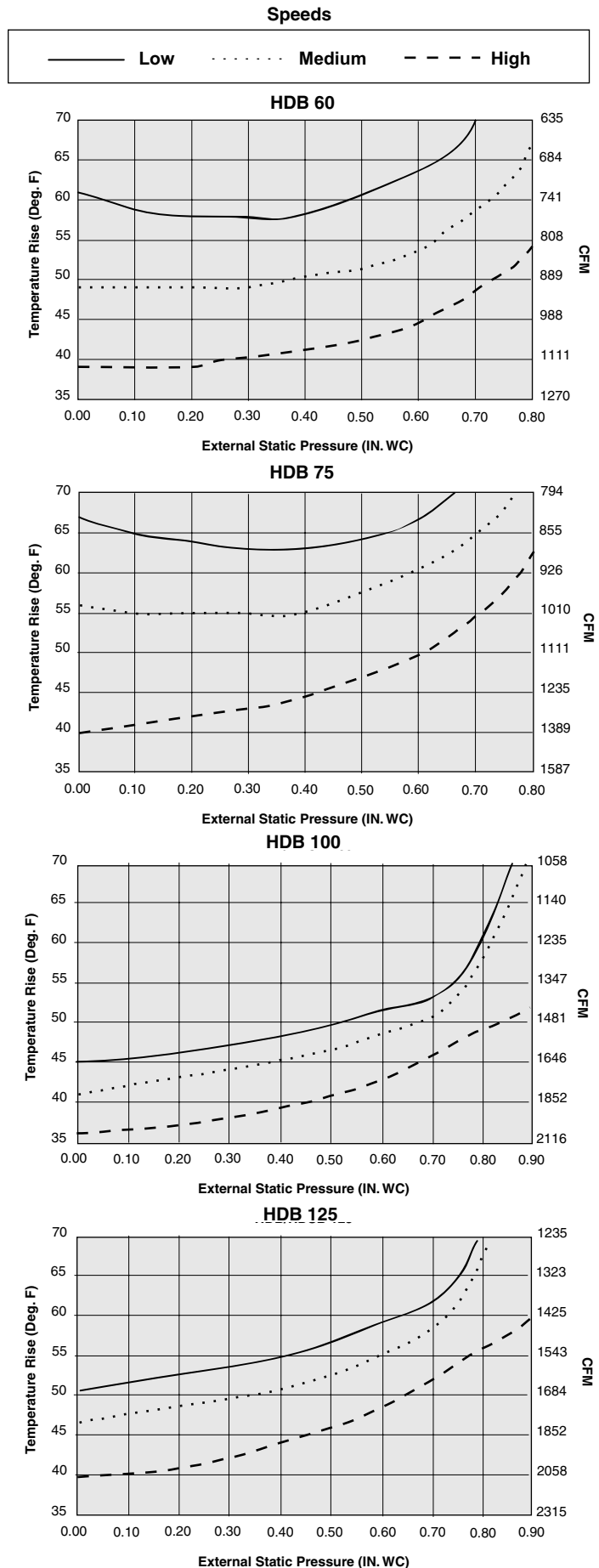
Location of thermostat should be determined by heating requirements and be mounted on an inside wall about 5' above floor level where it will not be affected by heat from the unit or other sources, or drafts from frequently opened doors. See instructions packed with thermostat.

Wiring Adjustments for Blower Motors

The blowers used on Modine HDB and HDC units are direct drive and equipped with three speed motors. Air temperature rise of the unit is determined by the speed setting and the amount of static pressure in the system. Units are normally shipped with motors set at high speed. Motor speed is changed by connecting the motor lead for the desired fan speed to the "EAS" or "Blo" terminal of the control board. Unused motor leads for other speeds are placed on the "Park" terminals of the board. See the wiring diagram on page 22.

When applying a blower equipped unit to a duct system or other load, consult the performance curves on this page to determine the air temperature rise for a given motor speed range and static pressure. Verify that the static pressure on the outlet of the unit does not exceed the maximum specified for the unit. If static pressure is too high it must be reduced either by modifications to the system or using the medium or low motor speed. If the unit shuts down on high limit during normal operation, a higher motor speed should be used.

Blower Curve Models (HDB 60-125 Only)



INSTALLATION - OPERATION

OPERATION

Prior to Operation

IMPORTANT

1. To prevent premature heat exchanger failure, observe heat exchanger tubes. If the bottom of the tubes become red while blower and furnace are in operation, check to be sure the blower has been set to the proper rpm for the application. Refer to pages 9 and 10 for Blower Adjustments.
2. Start-up and adjustment procedures should be performed by a qualified service agency.

Although this unit has been assembled and fire-tested at the factory, the following pre-operational procedures should be performed to assure proper on-site operation.

1. Turn off power to the unit at the disconnect switch. Check that fuses or circuit breakers are in place and sized correctly. Turn all hand gas valves to the "OFF" position.
2. Remove the side control access panel.
3. Check that the supply voltage matches the unit supply voltage listed on the Model Identification plate. Verify that all wiring is secure and properly protected. Trace circuits to insure that the unit has been wired according to the wiring diagram.
4. Check to insure that the venting system is installed correctly and free from obstructions. Before you start use the following steps to verify that the venting system is adequately sized:
 - a. Seal any unused openings in the venting system.
 - b. Inspect the venting system for proper size and horizontal pitch, as required in the National Fuel Gas Code ANSI Z223.1 or CSA B149.1 Installation Code-latest edition and these instructions. Determine that there is no blockage or restriction, leakage, corrosion and other deficiencies, which could cause an unsafe condition.
 - c. In so far as practical, close all building doors and windows and all doors between the space in which the appliance(s) connected to the venting system are located and other spaces of the building. Turn on clothes dryers and any exhaust fans such as range hoods and bathroom exhausts, so they shall operate at maximum speed. Do not operate a summer exhaust fan. Close fireplace dampers.
 - d. Follow the lighting instructions. Place the appliance being inspected in operation. Adjust thermostat so that the appliance will operate continuously.
 - e. After it has been determined that each appliance connected to the venting system properly vents when tested as outlined above, return doors, windows, exhaust fans, fireplace dampers and any other gas-burning appliance to their previous conditions of use.
 - f. If improper venting is observed during any of the above tests, the venting system must be corrected.
5. Check to see that there are no obstructions to the intake and discharge of the unit.
6. Check fan clearance. Fan should not contact casing when spun by hand.
7. Check to make sure that all filters are in place and that they are installed properly according to direction of air flow (if applicable).
8. Perform a visual inspection of the unit to make sure no damage has occurred during installation.
9. Check that all horizontal deflector blades are open a minimum of 30° as measured from vertical.
10. Turn on power to the unit at the disconnect switch.
11. Check the thermostat, ignition control, gas valve, and supply fan blower motor for electrical operation. If these do not function, recheck the wiring diagram.
12. Check the blower wheel for proper direction of rotation when compared to the air flow direction arrow on the blower housing (if applicable). Blower wheel rotation, not air movement, must be checked as some air will be delivered through the unit with the blower wheel running backwards.
13. For blower units, check the blower speed (rpm). Refer to Blower Adjustments for modification.
14. Check the motor speed (rpm).
15. Check the motor voltage.
16. Check the motor amp draw to make sure it does not exceed the motor nameplate rating.
17. Recheck the gas supply pressure at the field installed manual shut-off valve. The minimum inlet pressure should be 6" W.C. on natural gas and 11" W.C. on propane gas. The maximum inlet pressure for either gas is 14" W.C. If inlet pressure exceeds 14" W.C., a gas pressure regulator must be added upstream of the combination gas valve.
18. Open the field installed manual gas shut-off valve.
19. Place the manual main gas valve on the combination gas valve in the "On" position. Call for heat with the thermostat.
20. Check to make sure that the main gas valve opens. Check the manifold gas pressure (See Main Gas Adjustment) while the supply fan blower is operating.
21. Check to insure that gas controls sequence properly (See Control Operating Sequence). If you are not familiar with the unit's controls (i.e. combination gas control), refer to the control manufacturer's literature supplied with the unit.
22. Once proper operation of the unit has been verified, remove any jumper wires that were required for testing.
24. Replace the side control access panel.

Main Burner Adjustment

The gas pressure regulator (integral to the combination gas control) is adjusted at the factory for average gas conditions. It is important that gas be supplied to the unit heater in accordance with the input rating on the serial plate. Actual input should be checked and necessary adjustments made after the unit heater is installed. Over-firing, a result of too high an input, reduces the life of the appliance and increases maintenance. Under no circumstances should the input exceed that shown on the serial plate.

Measuring the manifold pressure is done at the outlet pressure tap of the gas valve.

To Adjust the Manifold Pressure

1. Move the field installed manual shut-off valve to the "OFF" position.
2. Remove the 1/8" pipe plug from the outlet pressure tap on the gas valve and attach a water manometer of "U" tube type which is at least 12" high.
3. Move the field installed manual gas shut-off valve to the "ON" position.
4. Create a high-fire call for heat from the thermostat.
5. Refer to Table 15.1 to determine the correct high fire manifold pressure for the gas type of the unit. Adjust the main gas pressure regulator spring to achieve the proper manifold pressure (for location, see the combination gas control literature supplied with unit).
6. After adjustment, move the field installed manual shut-off valve to the "OFF" position and replace the 1/8" pipe plug.
7. After the plug is in place, move the field installed manual shut-off valve to the "ON" position and recheck pipe plugs for gas leaks with soap solution.

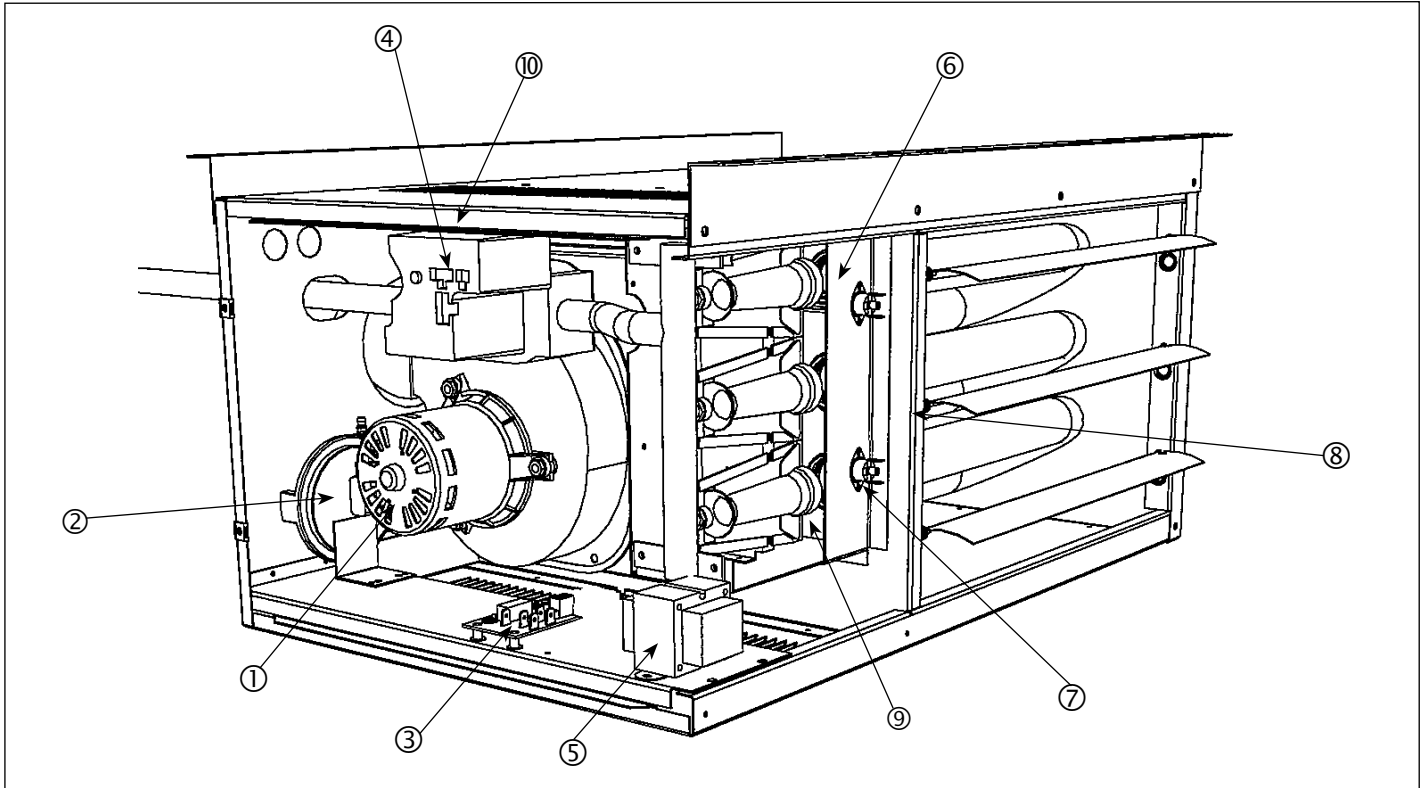
CONTROL OPERATING SEQUENCE / UNIT COMPONENTS

CONTROL OPERATING SEQUENCE

Upon a call for heat from the thermostat, power is supplied to the power exhaustor motor. The unit will go through a purge period and then the direct spark igniter will be energized. At the same time, the main valve in the combination control valve will open to allow gas to flow to the burners. If the fan motor has

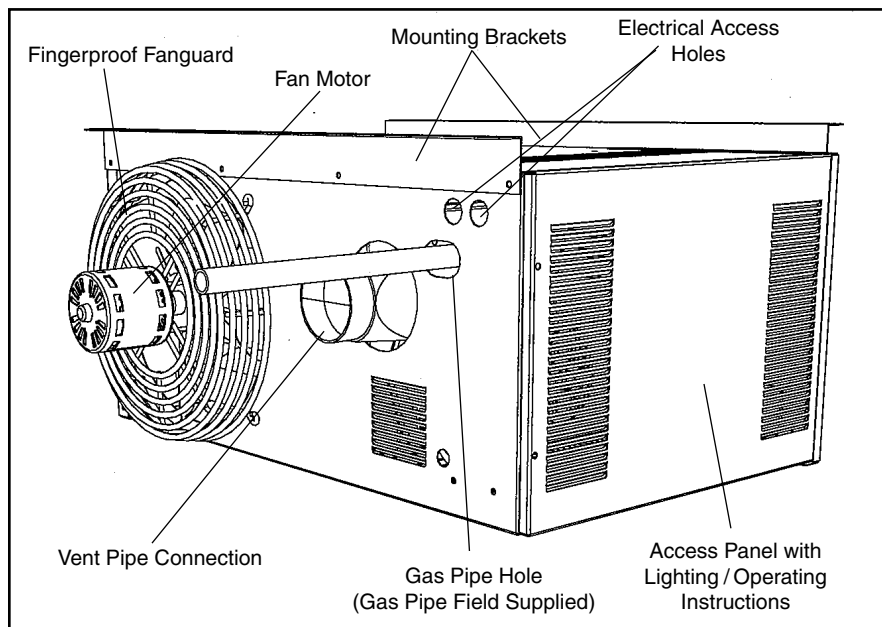
not already started it will start shortly. If a flame is not sensed for any reason the main valve will close and there will be a short purge period before ignition is tried again. If the flame is not sensed after four tries there will be at least a one hour wait before ignition is tried again.

Figure 18.1
Major Gas, Electrical Service, Safety and Other Components

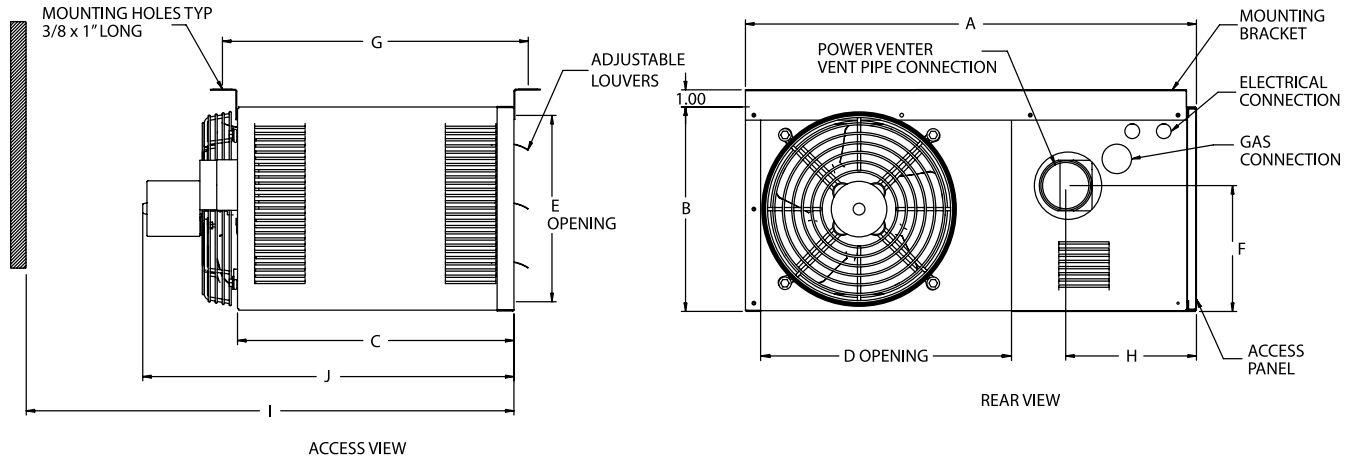


- | | | |
|--|----------------------------|---|
| 1. Power Exhaustor | 4. Combination Gas Control | 8. Auto Reset Limit Control (hidden) |
| 2. Pressure Switch | 5. Control Transformer | 9. Direct Spark Igniter (hidden) |
| 3. Integrated Direct Spark Control Board | 6. Flame Sensor (hidden) | 10. Manual Reset Control (hidden, propeller 100-125 only) |
| | 7. Flame Rollout Switch | |

Figure 18.2
Unit Heater Rear View



DIMENSIONS / GENERAL PERFORMANCE DATA - MODEL HD



Performance

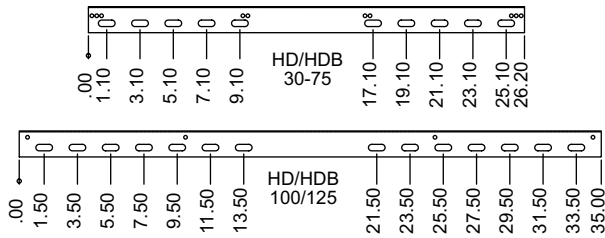
Models	HD30	HD45	HD60	HD75	HD100	HD125	
Btu/Hr Input	30,000	45,000	60,000	75,000	100,000	125,000	
Btu/Hr Output	24,000	36,000	48,000	60,000	80,000	100,000	
Entering Airflow (CFM)	505	720	990	1,160	1,490	1,980	
Outlet Velocity	523	749	653	769	565	747	
Air Temp. Rise (°F)	44	46	45	48	50	47	
Mounting Height (Max ft.)	10	10	12	14	12	16	
Heat Throw (ft.)	25	27	36	38	42	56	
Motor Data	Horsepower	1/15	1/15	1/12	1/12	1/12	1/8
	RPM	1,550	1,550	1,625	1,625	1,050	1,550
	Type	S.P.	S.P.	P.S.C.	P.S.C.	S.P.	P.S.C.
	Amps	2.4	2.4	1.2	1.2	2.7	2.2
Unit Total Amps	3.7	3.7	2.5	2.5	4.7	4.2	
Vent Connector Size (in.)	3	3	3	3	4	4	

Dimensions (inches)

Models	HD30	HD45	HD60	HD75	HD100/125
A	26.8	26.8	26.8	26.8	35.5
B	12.2	12.2	18.0	18.0	20.5
C	16.5	16.5	16.5	16.5	22.0
D	14.9	14.9	14.9	14.9	22.5
E	10.1	10.1	15.9	15.9	18.4
F	7.5	7.5	10.7	10.7	14.0
G	18.5	18.5	18.5	18.5	24.0
H	7.6	7.6	7.8	7.8	8.4
Gas Connection	1/2	1/2	1/2	1/2	1/2
I	34.5	34.5	34.5	34.5	43.0
J	22	22	25	25	31.0
Fan Diameter	10	10	14	14	18.0
Approx. Shipping Weight (lbs.)	55	60	80	85	125

Mounting

1" - angle, mounting brackets are slotted to accommodate joists on 16" or 24" centerlines.



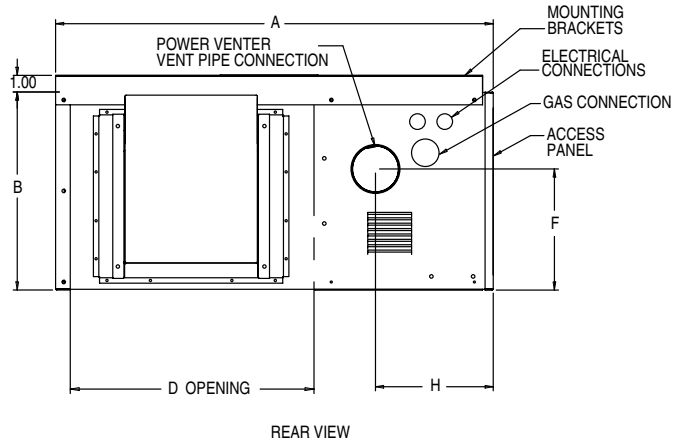
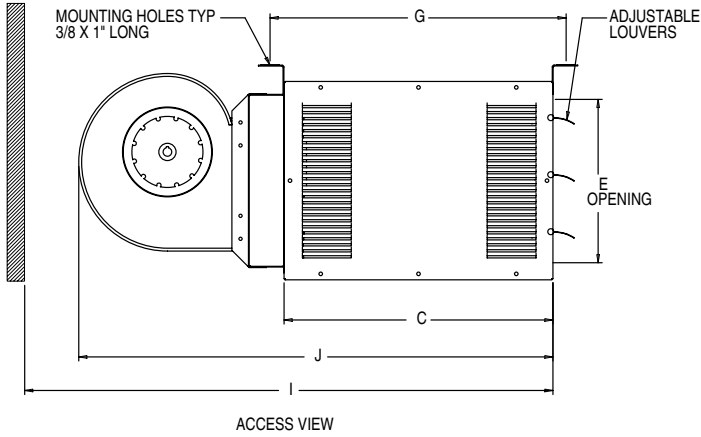
Clearances

Unit Side	Clearance To Combustible Materials	Recommended Service Clearance
Top and Bottom	1"	1"
Access Side	18"	18"
Non-Access Side	1"	1"
Rear	18"	18"
Vent Connector	4"	4"

Control Options

Control Description	Control Code No.	Service Voltage	Thermostat Voltage	Type of Gas	Model Size
Single-Stage, Direct Spark Ignition, 100% Shut-Off with Continuous Retry - Utilizes a single-stage combination gas control with ignition control. Gas is lit with a direct spark igniter on call for heat.	11	115V	24V	natural	30-125
	21	115V	24V	propane	30-125
Two-Stage, Direct Spark Ignition, 100% Shut-Off with Continuous Retry - Utilizes a two-stage combination gas control with built-in ignition control. Firing rate is 100% and 50% of full rated input. Gas is lit with a direct spark igniter on call for heat.	12	115V	24V	natural	75-125
	22	115V	24V	propane	75-125

DIMENSIONS / GENERAL PERFORMANCE DATA - MODEL HDB



Performance

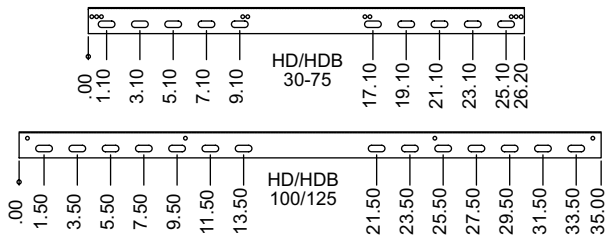
Models	HDB60	HDB75	HDB100	HDB125	
Btu/Hr Input	60,000	75,000	100,000	125,000	
Btu/Hr Output	48,000	60,000	80,000	100,000	
Air Flow CFM Range	635-1100	795-1390	1060-1850	1240-2050	
Static Pressure (max)	0.7	0.7	0.8	0.8	
Air Temp. Rise (°F)	40-70	40-70	40-70	45-75	
Motor Speeds	3	3	3	3	
Motor Data	Horsepower	1/4	1/3	1/2	1/2
	RPM	Max 1,100	Max 1,100	Max 1,100	Max 1,100
	Type	P.S.C.	P.S.C.	P.S.C.	P.S.C.
	Amps	5.4	7.1	9.5	9.5
Unit Total Amps	6.4	8.1	11.5	11.5	
Vent Connector Size (in.)	3	3	4	4	

Dimensions (inches)

Models	HDB 60	HDB 75	HDB100/125
A	26.8	26.8	35.5
B	18.0	18.0	20.5
C	16.5	16.5	22.0
D	14.9	14.9	22.5
E	15.9	15.9	18.4
F	10.7	10.7	14.0
G	18.5	18.5	24.0
H	7.8	7.8	8.4
Gas Connection	1/2	1/2	1/2
I	35.5	35.5	44.5
J	32.5	32.5	41.5
Blower	9 - 7	9 - 7	10 - 10
Approx. Shipping Weight (lbs.)	92	97	151

Mounting

1" - angle, mounting brackets are slotted to accommodate joists on 16" or 24" centerlines.



Clearances

Unit Side	Clearance To Combustible Materials	Recommended Service Clearance
Top and Bottom	1"	1"
Access Side	1"	18"
Non-Access Side	1"	1"
Rear	18"	18"
Vent Connector	4"	4"

Control Options

Control Description	Control Code No.	Service Voltage	Thermostat Voltage	Type of Gas	Model Size
Single-Stage, Direct Spark Ignition, 100% Shut-Off with Continuous Retry - Utilizes a single-stage combination gas control with ignition control. Gas is lit with a direct spark igniter on call for heat.	11	115V	24V	natural	30-125
	21	115V	24V	propane	30-125
Two-Stage, Direct Spark Ignition, 100% Shut-Off with Continuous Retry - Utilizes a two-stage combination gas control with built-in ignition control. Firing rate is 100% and 50% of full rated input. Gas is lit with a direct spark igniter on call for heat.	12	115V	24V	natural	75-125
	22	115V	24V	propane	75-125

SERVICE / MAINTENANCE / TROUBLESHOOTING

WARNING

When servicing or repairing of this equipment, use only factory-approved service replacement parts. A complete replacement parts list may be obtained by contacting the factory. Refer to the rating plate on the appliance for complete appliance model number, serial number, and company address. Any substitution of parts or controls not approved by the factory will be at the owner's risk.

CAUTION

1. Servicing or repairing of this equipment must be performed by a qualified service agency.
2. Do not attempt to reuse any mechanical or electrical controllers which have been wet. Replace defective controller.

IMPORTANT

To check most of the Possible Remedies in the troubleshooting guide listed in Table 21.1, refer to the applicable sections of the manual.

General Maintenance

The unit and venting system must be checked once a year by a qualified service technician.

All installation and service of these units must be performed by a qualified installation and service agency.

Before any service, BE SURE TO TURN OFF GAS AT THE MANUAL SHUT-OFF VALVE AHEAD OF THE COMBINATION GAS CONTROL AND TURN OFF ALL ELECTRIC POWER TO THE HEATER.

1. Service air moving components annually.
 - a. Check fan for fit on motor shaft and for damage to blades.
2. Keep unit free from dust, dirt, grease, and foreign matter, paying particular attention to:
 - a. Combustion air inlets.
 - b. Burners and burner orifices. Turn off gas ahead of the combination gas control and shut off electric power to the heater. Remove the access panel, open the union on the gas line, and disconnect the igniter and sensor wires. Remove the screws that attach the burner tray to the header plate and remove the burner tray and manifold assembly from the heater. Carefully clean the burners with a wire brush or other suitable means. Replace any damaged or deteriorating burners or orifices. Install the burner assembly back on to the header making certain that all screws, pipes and electrical connections are tight.

CAUTION: Be careful when handling the igniter and flame sensor.

 1. Inspect the flame sensor and igniter for deterioration and/or cracks.
 2. Verify that the burners are touching each other at the carryover points. This will ensure flame carryover from burner to burner.
- c. Clean exterior of heat exchanger tubes.
- d. Fan blade.
3. Check wiring for possible loose connections.
4. Controls – The gas valves and piping should be checked annually for general cleanliness and tightness. The gas controls should be checked to insure that the unit is operating properly. See control instruction sheets furnished separately with the unit heater.
5. Power exhaust assembly/motors – The power exhaust motor bearings have been lubricated for long life and do not require additional lubrication. In dirty atmosphere, it may be desirable to clean the motors and blower housing and blow out the cooling air passages of the motor with compressed air.
6. Perform periodic cleaning of inlet and vent terminal screens.

**Table 21.1
Troubleshooting**

TROUBLE	POSSIBLE CAUSE	POSSIBLE REMEDY
Unit does nothing	<ol style="list-style-type: none"> 1. Power supply is off 2. No 24V power to thermostat 3. Thermostat malfunction 4. LED flashes 5. Defective control 	<ol style="list-style-type: none"> 1. Turn on main power 2 a. Check control transformer <ol style="list-style-type: none"> b. If failed transformer - check thermostat wire gage and length 3 a. Verify wire connections to R&W terminals only <ol style="list-style-type: none"> b. Check / replace thermostat 4. Check LED flash code 5. Replace control
LED light off or flashing	<ol style="list-style-type: none"> 1. Multiple causes 	<ol style="list-style-type: none"> 1. Control board LED flash codes vary with control type. A decal is installed in the unit giving a brief description of the applicable codes for your heater. For more detail, see the control board data sheet included with this manual.
Unit starts but does not ignite	<ol style="list-style-type: none"> 1. Main gas is off 2. Air in gas line 3. Main or manifold gas pressure 4. Check gas valve switch 	<ol style="list-style-type: none"> 1. Open manual gas valve 2. Purge gas line 3. Set gas pressures per manual instructions 4. Set gas valve switch to "ON" position
Unit goes through cycle but the burners go out in less than 10 seconds	<ol style="list-style-type: none"> 1. Reversed main power polarity 2. Unit not grounded 3. Flame not sensed 	<ol style="list-style-type: none"> 1. Black wire - HOT, White wire - NEUTRAL, Green wire - Ground 2. Ground unit and verify quality of ground connection 3. Check flame sense probe and connection
Air circulating fan inoperable	<ol style="list-style-type: none"> 1. Loose connections 2. Defective control board 3. Defective fan motor 	<ol style="list-style-type: none"> 1. Check all connections 2. Check control board data sheet and function 3. Check fan motor

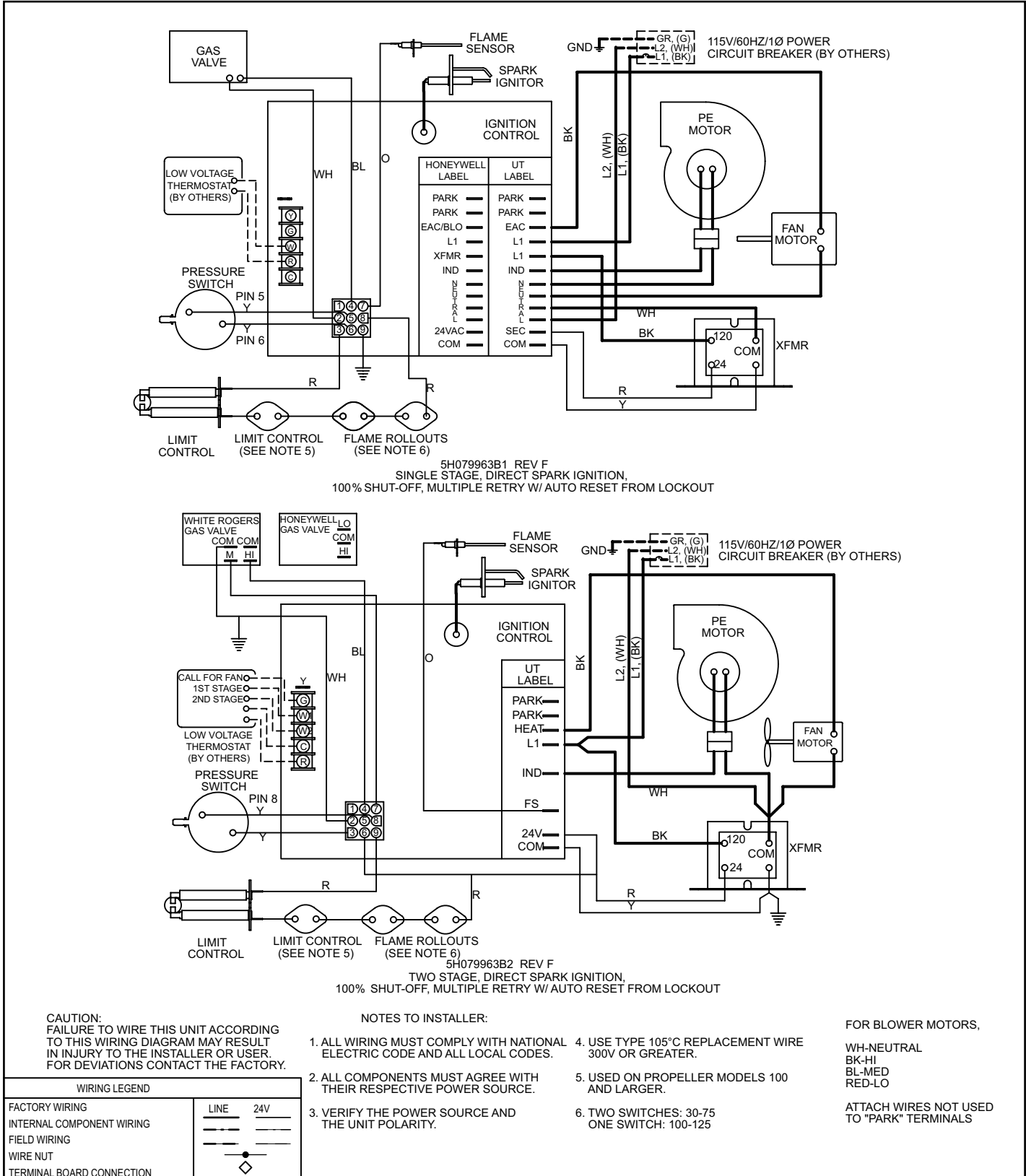
UNIT WIRING

Wiring Diagram Selection

Since internal or factory wiring may vary depending on the controls manufacturer, the wiring diagrams must be appropriately selected with the proper gas valve and ignition

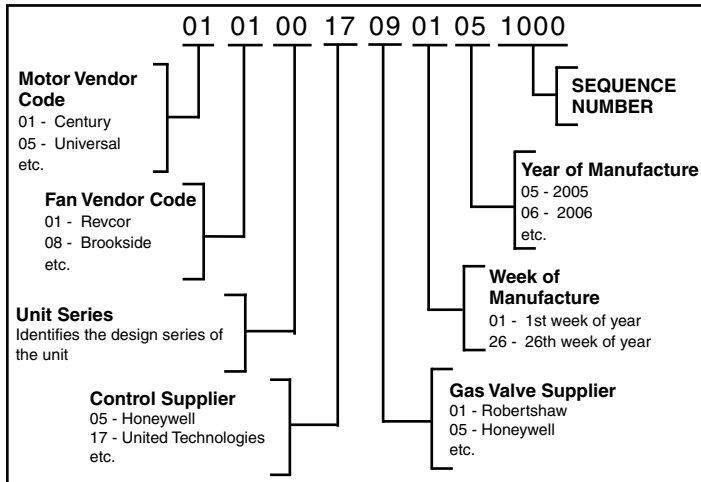
type. The following wiring diagram represents a unit equipped with a single or two stage gas valve, and direct spark ignition.

Figure 22.1 - Unit Heater Wiring Diagram (Single and Two Stage, Direct Spark Ignition)

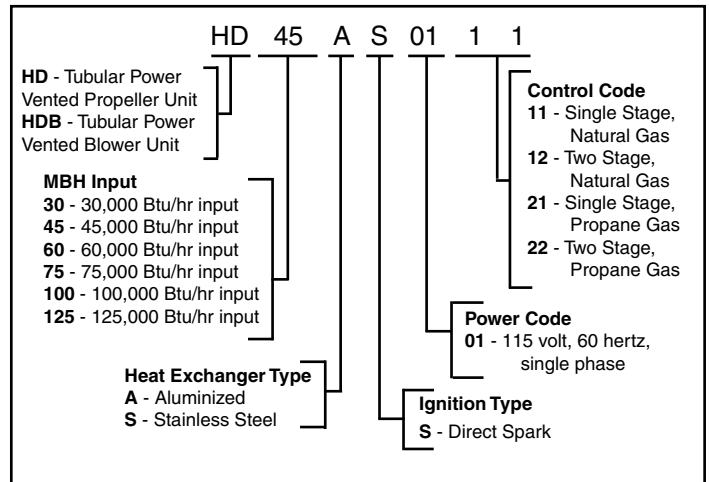


SERIAL & MODEL NUMBER / REPLACEMENT PARTS

Serial Number Designations (Remove access cover to locate)



Model Number Designations (Remove access cover to locate)



Replacement Parts

When requesting parts please contact your local representative. Please have full model and serial number available. If you require assistance in locating your representative, please call the number located on the back page.

Figure 22.1 Common Replacement Parts (The list is subject to change. Please refer to unit mounted parts list for most up-to-date list.)

Model Size	Power Exhauster	Limit Control Switch	Flame Roll-out Switch	Transformer	Pressure Switch	Igniter	Ignition Control (1 Stage)	Combination Gas Valve (1 Stage)		Ignition Control (2 Stage)	Combination Gas Valve (2 Stage)	
								Code 11	Code 21		Code 12	Code 22
HD 30	5H75038	5H75769B1	5H75002-3	5H75029	5H75030-3	5H79636	5H79749	5H79751B	5H79869B	NA	NA	NA
HD 45	5H75038	5H75769B1	5H75002-3	5H75029	5H75030-3	5H79636	5H79749	5H79751B	5H79869B	NA	NA	NA
HD 60	5H75038	5H75769B2	5H75002-3	5H75029	5H75030-3	5H79636	5H79749	5H79751B	5H79869B	NA	NA	NA
HDB 60	5H75038	5H75769B4	5H75002-3	5H75029	5H75030-3	5H79636	5H79749	5H79751B	5H79869B	NA	NA	NA
HD 75	5H75038	5H75769B2	5H75002-3	5H75029	5H75030-4	5H79636	5H79749	5H79751B	5H79869B	5H79804B	5H79748B	5H79871B
HDB 75	5H75038	5H75769B2	5H75002-3	5H75029	5H75030-4	5H79636	5H79749	5H79751B	5H79869B	5H79804B	5H79748B	5H79871B
HD 100	5H79795	5H75769B2	5H75002-4	5H75029	5H79441-9	5H79636	5H79749	5H79751B	5H79869B	5H79804B	5H79748B	5H79871B
HDB 100	5H79795	5H75769B3	5H75002-4	5H75029	5H79441-9	5H79636	5H79749	5H79751B	5H79869B	5H79804B	5H79748B	5H79871B
HD 125	5H79795	5H75769B1	5H75002-4	5H75029	5H79441-9	5H79636	5H79749	5H79751B	5H79869B	5H79804B	5H79748B	5H79871B
HDB 125	5H79795	5H75769B2	5H75002-4	5H75029	5H79441-9	5H79636	5H79749	5H79751B	5H79869B	5H79804B	5H79748B	5H79871B

MODINE MANUFACTURING COMPANY LIMITED WARRANTY (Residential Use Only)

WHAT THIS WARRANTY COVERS

This warranty covers all defects in material and workmanship in your Modine unit heater, when used for your home or garage.

WHAT THIS WARRANTY DOES NOT COVER

Unit heater, or any of its parts:

- which have been improperly installed or removed.
- which have been damaged other than by normal use.
- which have not been properly maintained.
- which have been exposed to gas input more than 5% higher than specified on the serial plate of the unit heater, resulting in over-firing of the heater.
- which have been exposed to possibly corrosive chemicals or chemical vapors (such as found in swimming pools), or potentially explosive or flammable atmospheres laden with grain dust, sawdust, or similar air-borne materials.
- where any defect has been caused by abuse, misuse, neglect, carelessness, or accident.
- where the serial number of the unit heater has been altered, defaced, or removed.
- which are used in a confined space without adequate combustion air, such as can be found in more air-tight construction.

WHO THIS WARRANTY COVERS

This warranty covers the purchaser of the unit heater or anyone else who owns it during the warranty period.

HOW LONG THE WARRANTY LASTS

- The warranty for the heat exchanger of the unit heater remains in force for ten years from the date you purchased the unit heater.
- The warranty on all other parts of the heater remains in force for two years from the date you purchased the unit heater.

WHAT MODINE WILL DO TO CORRECT ANY WARRANTY DEFECTS, AND HOW YOU CAN GET WARRANTY SERVICE

In the event of warranty failure, Modine will provide replacement parts at Modine's cost. To obtain warranty repairs or replacement of defective parts, you must, within the period of warranty coverage, contact the agency from whom you purchased the unit heater. That seller, or the service agency performing service for the seller, will determine whether or not the unit heater, or any of its parts, is in fact defective, and will then either repair or obtain and install the necessary replacement parts for you. If it is determined that the unit heater or parts were not defective, you may be charged for any replacement parts.

CAUTION - Do not attempt to repair the unit heater yourself, nor remove it or any of its parts. This must be done by a qualified service agency.

If you have any questions about this warranty, call the person from whom you purchased the unit heater; or a Modine Heating Products Representative at 1-800-828-4328.

WHAT MODINE WILL NOT DO

Modine will not reimburse you for any labor costs or service charges related to warranty repairs or replacements.

INCIDENTAL AND CONSEQUENTIAL DAMAGES DISCLAIMED

This warranty does not cover incidental damages, such as use of substitute heating equipment, or other costs arising from the loss of use of the unit heater. This warranty also does not cover consequential damages, such as the cost of repairing or replacing other property which is damaged when this unit heater does not work properly.

HOW STATE LAW RELATES TO THIS WARRANTY

Some states do not allow the exclusion or limitation of incidental or consequential damages so the above limitations or exclusions may not apply to you.

This warranty gives you specific legal rights, and you may also have other rights which vary from state to state.

COMMERCIAL WARRANTY

Seller warrants its products to be free from defects in material and workmanship, EXCLUSIVE, HOWEVER, of failures attributable to the use of materials substituted under emergency conditions for materials normally employed. This warranty covers replacement of any parts furnished from the factory of Seller, but does not cover labor of any kind and materials not furnished by Seller, or any charges for any such labor or materials, whether such labor, materials or charges thereon are due to replacement of parts, adjustments, repairs, or any other work done. This warranty does not apply to any equipment which shall have been repaired or altered outside the factory of Seller in any way so as, in the judgment of Seller, to affect its stability, nor which has been subjected to misuse, negligence, or operating conditions in excess of those for which such equipment was designed. This warranty does not cover the effects of physical or chemical properties of water or steam or other liquids or gases used in the equipment.

BUYER AGREES THAT SELLER'S WARRANTY OF ITS PRODUCTS TO BE FREE FROM DEFECT IN MATERIAL AND WORKMANSHIP, AS LIMITED HEREIN, SHALL BE IN LIEU OF AND EXCLUSIVE OF ALL OTHER WARRANTIES, EITHER EXPRESS OR IMPLIED, WHETHER ARISING FROM LAW, COURSE OF DEALING, USAGE OF TRADE, OR OTHERWISE. **THERE ARE NO OTHER WARRANTIES, INCLUDING WARRANTY OF MERCHANTABILITY OR FITNESS FOR PURPOSE, WHICH EXTEND BEYOND THE PRODUCT DESCRIPTION CONFIRMED BY BUYER AND SELLER AS OF THE DATE OF FINAL AGREEMENT.**

This warranty is void if the input to the product exceeds the rated input as indicated on the product serial plate by more than 5% on gas-fired and oil-fired units, or if the product in the judgment of SELLER has been installed in a corrosive atmosphere, or subjected to corrosive fluids or gases, been subjected to misuse, negligence, accident, excessive thermal shock, excessive humidity, physical damage, impact, abrasion, unauthorized alterations, or operation contrary to SELLER'S printed instructions, or if the serial number has been altered, defaced or removed.

Heat Exchangers

For Seller's non-separated combustion Gas-Fired Unit Heaters

BUYER'S REMEDY FOR BREACH OF WARRANTY, EXCLUSIVE OF ALL OTHER REMEDIES PROVIDED BY LAW, IS LIMITED TO REPAIR OR REPLACEMENT AT THE FACTORY OF SELLER, ANY HEAT EXCHANGER WHICH SHALL, WITHIN TEN YEARS FROM DATE OF FIRST BENEFICIAL USE BY BUYER OR ANY OTHER USER, WITHIN TEN YEARS FROM DATE OF RESALE BY BUYER OR ANY OTHER USER, WITHIN TEN YEARS FROM DATE OF RESALE BY BUYER IN ANY UNCHANGED CONDITION, OR WITHIN ONE HUNDRED TWENTY-SIX MONTHS FROM DATE OF SHIPMENT FROM SELLER, WHICHEVER OCCURS FIRST, BE RETURNED TO SELLER WITH TRANSPORTATION CHARGES PREPAID AND WHICH THE EXAMINATION OF SELLER SHALL DISCLOSE TO HAVE BEEN DEFECTIVE; EXCEPT THAT WHEN THE PRODUCT IS TO BE USED BY BUYER AS A COMPONENT PART OF EQUIPMENT MANUFACTURED BY BUYER, BUYER'S REMEDY FOR BREACH, AS LIMITED HEREIN, SHALL BE LIMITED TO ONE YEAR FROM DATE OF SHIPMENT FROM SELLER. FOR GAS-FIRED PRODUCTS INSTALLED IN HIGH HUMIDITY APPLICATIONS AND UTILIZING STAINLESS STEEL HEAT EXCHANGERS, BUYER'S REMEDY FOR BREACH, AS LIMITED HEREIN, SHALL BE LIMITED TO TEN YEARS FROM DATE OF SHIPMENT FROM SELLER.

For Seller's Low Intensity Gas-Fired Infrared Heaters

BUYER'S REMEDY FOR BREACH OF WARRANTY, EXCLUSIVE OF ALL OTHER REMEDIES PROVIDED BY LAW, IS LIMITED TO REPAIR OR REPLACEMENT AT THE FACTORY OF SELLER, ANY HEAT EXCHANGER WHICH SHALL, WITHIN FIVE YEARS FROM DATE OF FIRST BENEFICIAL USE BY BUYER OR ANY OTHER USER, WITHIN FIVE YEARS FROM DATE OF RESALE BY BUYER OR ANY OTHER USER, WITHIN FIVE YEARS FROM DATE OF RESALE BY BUYER IN ANY UNCHANGED CONDITION, OR WITHIN 66 MONTHS FROM DATE OF SHIPMENT FROM SELLER, WHICHEVER OCCURS FIRST, BE RETURNED TO SELLER WITH TRANSPORTATION CHARGES PREPAID AND WHICH THE EXAMINATION OF SELLER SHALL DISCLOSE TO HAVE BEEN DEFECTIVE; EXCEPT THAT WHEN THE PRODUCT IS TO BE USED BY BUYER AS A COMPONENT PART OF EQUIPMENT MANUFACTURED BY BUYER, BUYER'S REMEDY FOR BREACH, AS LIMITED HEREIN, SHALL BE LIMITED TO ONE YEAR FROM DATE OF SHIPMENT FROM SELLER.

Heat Exchanger (Condensers) for all Seller's products except non-separated combustion Gas-Fired Unit Heaters and Infrared Heaters, all Burners except Infrared Heaters, and Sheet Metal for all Seller's products BUYER'S REMEDY FOR BREACH OF WARRANTY, EXCLUSIVE OF ALL OTHER REMEDIES PROVIDED BY LAW, IS LIMITED TO REPAIR OR REPLACEMENT AT THE FACTORY OF SELLER, ANY HEAT EXCHANGER (CONDENSER) OR BURNER WHICH SHALL, WITHIN ONE YEAR FROM DATE OF FIRST BENEFICIAL USE BY BUYER OR ANY OTHER USER, WITHIN ONE YEAR FROM DATE OF RESALE BY BUYER IN ANY

UNCHANGED CONDITION, OR WITHIN EIGHTEEN MONTHS FROM DATE OF SHIPMENT FROM SELLER, WHICHEVER OCCURS FIRST, BE RETURNED TO SELLER WITH TRANSPORTATION CHARGES PREPAID AND WHICH THE EXAMINATION OF SELLER SHALL DISCLOSE TO HAVE BEEN DEFECTIVE; EXCEPT THAT WHEN THE PRODUCT IS TO BE USED BY BUYER AS A COMPONENT PART OF EQUIPMENT MANUFACTURED BY BUYER, BUYER'S REMEDY FOR BREACH, AS LIMITED HEREIN, SHALL BE LIMITED TO ONE YEAR FROM DATE OF SHIPMENT FROM SELLER.

Burners

For Seller's Low Intensity Gas-Fired Infrared Heaters

BUYER'S REMEDY FOR BREACH OF WARRANTY, EXCLUSIVE OF ALL OTHER REMEDIES PROVIDED BY LAW, IS LIMITED TO REPAIR OR REPLACEMENT AT THE FACTORY OF SELLER, ANY BURNER WHICH SHALL, WITHIN TWO YEARS FROM DATE OF FIRST BENEFICIAL USE BY BUYER OR ANY OTHER USER, WITHIN TWO YEARS FROM DATE OF RESALE BY BUYER IN ANY UNCHANGED CONDITION, OR WITHIN 30 MONTHS FROM DATE OF SHIPMENT FROM SELLER, WHICHEVER OCCURS FIRST, BE RETURNED TO SELLER WITH TRANSPORTATION CHARGES PREPAID AND WHICH THE EXAMINATION OF SELLER SHALL DISCLOSE TO HAVE BEEN DEFECTIVE; EXCEPT THAT WHEN THE PRODUCT IS TO BE USED BY BUYER AS A COMPONENT PART OF EQUIPMENT MANUFACTURED BY BUYER, BUYER'S REMEDY FOR BREACH, AS LIMITED HEREIN, SHALL BE LIMITED TO ONE YEAR FROM DATE OF SHIPMENT FROM SELLER.

For Seller's High Intensity Gas-Fired Infrared Heaters

BUYER'S REMEDY FOR BREACH OF WARRANTY, EXCLUSIVE OF ALL OTHER REMEDIES PROVIDED BY LAW, IS LIMITED TO REPAIR OR REPLACEMENT AT THE FACTORY OF SELLER, ANY BURNER WHICH SHALL, WITHIN TEN YEARS FROM DATE OF FIRST BENEFICIAL USE BY BUYER OR ANY OTHER USER, WITHIN TEN YEARS FROM DATE OF RESALE BY BUYER IN ANY UNCHANGED CONDITION, OR WITHIN 126 MONTHS FROM DATE OF SHIPMENT FROM SELLER, WHICHEVER OCCURS FIRST, BE RETURNED TO SELLER WITH TRANSPORTATION CHARGES PREPAID AND WHICH THE EXAMINATION OF SELLER SHALL DISCLOSE TO HAVE BEEN DEFECTIVE; EXCEPT THAT WHEN THE PRODUCT IS TO BE USED BY BUYER AS A COMPONENT PART OF EQUIPMENT MANUFACTURED BY BUYER, BUYER'S REMEDY FOR BREACH, AS LIMITED HEREIN, SHALL BE LIMITED TO ONE YEAR FROM DATE OF SHIPMENT FROM SELLER.

All Other Components Excluding Heat Exchanger (Condenser), Burner, and Sheet Metal

For all Seller's products except Direct-Fired Heaters and High Intensity Gas-Fired Infrared Heaters

BUYER'S REMEDY FOR BREACH OF WARRANTY, EXCLUSIVE OF ALL OTHER REMEDIES PROVIDED BY LAW, IS LIMITED TO REPAIR OR REPLACEMENT AT THE FACTORY OF SELLER, ANY PART OR PARTS WHICH SHALL, WITHIN TWO YEARS FROM DATE OF FIRST BENEFICIAL USE BY BUYER OR ANY OTHER USER, WITHIN TWO YEARS FROM DATE OF RESALE BY BUYER IN ANY UNCHANGED CONDITION, OR WITHIN THIRTY MONTHS FROM DATE OF SHIPMENT FROM SELLER, WHICHEVER OCCURS FIRST, BE RETURNED TO SELLER WITH TRANSPORTATION CHARGES PREPAID AND WHICH THE EXAMINATION OF SELLER SHALL DISCLOSE TO HAVE BEEN DEFECTIVE; EXCEPT THAT WHEN THE PRODUCT IS TO BE USED BY BUYER AS A COMPONENT PART OF EQUIPMENT MANUFACTURED BY BUYER, BUYER'S REMEDY FOR BREACH, AS LIMITED HEREIN, SHALL BE LIMITED TO ONE YEAR FROM DATE OF SHIPMENT FROM SELLER.

For Seller's Direct-Fired Heaters and High Intensity Gas-Fired Infrared Heaters

BUYER'S REMEDY FOR BREACH OF WARRANTY EXCLUSIVE OF ALL OTHER REMEDIES PROVIDED BY LAW IS LIMITED TO REPAIR OR REPLACEMENT AT THE SELLER'S OPTION ANY PART OR PARTS WHICH SHALL WITHIN A PERIOD OF ONE YEAR FROM DATE OF FIRST BENEFICIAL USE BY BUYER OR ANY OTHER USER, WITHIN ONE YEAR FROM DATE OF RESALE BY BUYER IN ANY UNCHANGED CONDITION, OR WITHIN 18 MONTHS FROM DATE OF SHIPMENT FROM SELLER, WHICHEVER OCCURS FIRST, BE RETURNED TO SELLER WITH TRANSPORTATION CHARGES PREPAID AND WHICH THE EXAMINATION OF THE SELLER SHALL DISCLOSE TO HAVE BEEN DEFECTIVE. BUYER AGREES THAT IN NO EVENT WILL SELLER BE LIABLE FOR COSTS OF PROCESSING, LOST PROFITS, INJURY TO GOODWILL, OR ANY OTHER CONSEQUENTIAL OR INCIDENTAL DAMAGES OF ANY KIND RESULTING FROM THE ORDER OR USE OF ITS PRODUCT, WHETHER ARISING FROM BREACH OF WARRANTY, NONCONFORMITY TO ORDERED SPECIFICATIONS, DELAY IN DELIVERY, OR ANY LOSS SUSTAINED BY THE BUYER.

Modine Manufacturing Company has a continuous product improvement program;
it reserves the right to change design and specifications without notice.

- FOR RESIDENTIAL USE SEE LIMITED CONSUMER WARRANTY ON PREVIOUS PAGE.



Commercial Products Group

Modine Manufacturing Company
1500 DeKoven Avenue
Racine, WI 53403
Phone: 1.800.828.4328 (HEAT)
www.modine.com

MANUEL D'INSTALLATION ET D'ENTRETIEN appareils de chauffage alimentés au gaz modèles HD et HDB



Tous nos modèles sont homologués en Californie par le CEC, dans la ville de New York, par la division MEA, et au Massachusetts. L'appareil de chauffage est certifié pour des applications résidentielles et commerciales.

POUR VOTRE SÉCURITÉ

Il est dangereux d'utiliser et de conserver de l'essence ou d'autres liquides ou gaz inflammables dans des contenants ouverts à proximité de cet appareil.

⚠️ AVERTISSEMENT

1. Une installation, des réglages, des modifications ou un entretien inappropriés peuvent causer des dommages matériels, des blessures ou la mort, ainsi que l'exposition à des substances reconnues par divers organismes officiels comme causant des cancers, des malformations congénitales ou des anomalies du système reproductif. Lisez attentivement les instructions d'installation, d'utilisation et d'entretien avant d'installer ou d'entretenir cet appareil.
2. AUCUN appareil fonctionnant au gaz ne devrait être installé dans des locaux dont l'atmosphère contient des vapeurs chlorées, halogénées ou acides. Ces substances peuvent causer une défaillance prématurée de l'échangeur de chaleur, en raison de la corrosion, laquelle peut provoquer des dommages matériels, des blessures graves ou même la mort.

POUR VOTRE SÉCURITÉ

SI VOUS SENTEZ UNE ODEUR DE GAZ :

1. Ouvrez toutes les fenêtres.
2. Ne tentez pas d'allumer un appareil quelconque.
3. Ne touchez pas aux interrupteurs électriques et n'utilisez pas un téléphone dans votre édifice.
4. Appelez immédiatement votre compagnie de gaz de chez un voisin. Suivez les instructions du fournisseur de gaz. Si vous ne pouvez pas contacter votre compagnie de gaz, appelez les pompiers.

IMPORTANT

Ce manuel est spécifiquement destiné au personnel d'une entreprise qualifiée d'installation et d'entretien. Toutes les opérations d'installation et d'entretien doivent être confiées à une entreprise qualifiée.

Inspection à la réception

1. Inspectez l'appareil à la livraison. Signalez immédiatement tout dommage au transporteur et avisez le représentant commercial local de Modine.
2. Vérifiez la plaque signalétique pour déterminer si les caractéristiques de l'appareil correspondent au secteur électrique disponible au point d'installation.
3. Inspectez l'appareil à la réception pour vérifier qu'il est conforme à la description du produit commandé (y compris aux spécifications, s'il y a lieu).

Table des matières

Inspection à la réception	1
Précautions particulières	2
Facteurs de conversion SI (Système métrique)	3
Avant de commencer	3
Emplacement d'installation	4
Matières combustibles et dégagements	4
Montage de l'appareil	5
Installation de l'appareil	5
Évacuation des gaz brûlés	6
Raccordements de gaz	14
Câblage et réglage de la vitesse de la soufflante	16
Mise en service	17
Éléments constitutifs	18
Dimensions	19
Entretien courant et dépannage	21
Schéma de câblage de l'appareil	22
Numéro de série ou de modèle et pièces de rechange	23
Garantie résidentielle	23
Garantie commerciale	24

PRÉCAUTIONS PARTICULIÈRES

PRÉCAUTIONS PARTICULIÈRES

LES INSTRUCTIONS D'INSTALLATION ET D'ENTRETIEN DE CE MANUEL DOIVENT ÊTRE RESPECTÉES POUR ASSURER UN FONCTIONNEMENT SÉCURITAIRE, EFFICACE ET SANS PROBLÈMES. IL CONVIENT ÉGALEMENT DE RESPECTER RIGOREUSEMENT LES PRÉCAUTIONS PARTICULIÈRES CI-APRÈS. LE FAIT DE NE PAS SE CONFORMER À CES PRÉCAUTIONS CRITIQUES PEUT CAUSER DES DOMMAGES MATÉRIELS, DES BLESSURES OU LA MORT. CES INSTRUCTIONS SONT DONNÉES SOUS RÉSERVE DE DISPOSITIONS PLUS RESTRICTIVES DES CODES LOCAL OU NATIONAL.

HIÉRARCHIE DES NIVEAUX DE RISQUES

1. **DANGER** : Indique une situation qui, si elle se matérialise, ENTRAÎNERA INÉVITABLEMENT des accidents graves ou mortels.
2. **AVERTISSEMENT** : Indique une situation qui, si elle se matérialise, POURRAIT CAUSER des accidents graves ou mortels.
3. **ATTENTION** : Indique une situation qui, si elle se matérialise, POURRAIT ENTRAÎNER des accidents mineurs ou modérément graves.
4. **IMPORTANT** : Indique une situation qui, si elle se matérialise, POURRAIT ENTRAÎNER des risques pour la sécurité des personnes.

DANGER

Les appareils doivent être installés de façon à ne pas être exposés à des atmosphères potentiellement explosives ou inflammables.

AVERTISSEMENT

1. Un système d'évacuation est obligatoire pour les appareils de chauffage au gaz - ne les faites jamais fonctionner sans évacuation des gaz.
2. Un extracteur incorporé assure la circulation des gaz - il est inutile ou interdit d'installer un dispositif d'extraction externe.
3. Si vous remplacez un équipement de chauffage existant, vous aurez peut-être à modifier le système d'évacuation des gaz brûlés. Un système d'évacuation de section insuffisante peut causer des refoulements de gaz brûlés ou la formation de condensat. Reportez-vous au code National Fuel Gas ANSI Z223.1 ou à la dernière édition de la norme CSA B149.1. Le non-respect de ces instructions peut avoir des conséquences graves ou mortelles.
4. Il est interdit d'accoupler deux longueurs de tuyau à double paroi dans une même installation d'évacuation horizontale à cause de l'impossibilité de vérifier l'étanchéité des raccords du tuyau intérieur.
5. Toutes les tuyauteries de gaz installées sur place doivent être soumises à des essais de pression et d'étanchéité avant la mise en service. Ne recherchez jamais les fuites avec une flamme nue. Utilisez plutôt de l'eau savonneuse ou un produit équivalent.
6. La pression de gaz au régulateur de l'appareil ne doit jamais dépasser 3,5 kPa (14 po d'eau ou 0,5 psi).
7. Pour réduire les risques de condensation, le pouvoir calorifique minimum du gaz (au niveau de la mer) ne doit pas être inférieur de plus de 5 % à la valeur minimale nominale figurant sur la plaque signalétique de l'appareil ou de 5 % à la valeur la plus basse des appareils à double alimentation.
8. Coupez l'alimentation électrique avant de faire les connexions pour éviter les chocs électriques et les dommages à l'équipement.
9. Tous les branchements et câblages doivent être faits en stricte conformité avec le schéma fourni avec l'appareil. Tout câblage différent de celui du schéma peut créer des risques de dommages matériels ou de blessures.
10. Si un câblage d'origine doit être remplacé, il est impératif de le faire avec du fil ou du câble ayant une température nominale de 105 °C ou plus.
11. Vérifiez que la tension du secteur n'est pas supérieure de plus de 5 % à la tension nominale inscrite sur la plaque de l'appareil.
12. Pour l'entretien et les réparations de cet appareil, n'utilisez que des pièces approuvées par le fabricant. Pour la liste complète des pièces de rechange, adressez-vous au fabricant. Le numéro de modèle complet, le numéro de série et l'adresse du fabricant figurent sur la plaque signalétique fixée à l'appareil. Toute substitution de pièce ou de commande non approuvée par le fabricant sera aux risques du propriétaire.

ATTENTION

1. Toute la documentation livrée avec l'appareil doit être conservée pour référence lors des opérations d'entretien et de diagnostic des pannes. Ne jetez aucune documentation fournie avec cet appareil.
2. Étudiez les instructions en matière de tuyauterie, de câblage électrique et d'évacuation des gaz de ce manuel avant d'effectuer l'installation finale.
3. Ne raccordez pas les gaines, les filtres à air ou les faisceaux de tubes à un appareil à soufflante.
4. Les dégagements par rapport aux matériaux combustibles adjacents sont essentiels. Assurez-vous de respecter toutes les exigences mentionnées.
5. N'installez pas les appareils dans des pièces très hermétiques ou des petits compartiments (espaces clos) sans établir une bonne ventilation et une entrée d'air de combustion. L'air de combustion doit avoir accès à l'espace clos à travers deux ouvertures permanentes au moins dans l'enceinte, dont une au moins à proximité du fond. Ces ouvertures doivent fournir un espace libre de 6,45 cm² ou d'un pouce carré par tranche de 1000 BTU/h de puissance calorifique de l'appareil ou un minimum de 645 cm² ou 100 pouces carrés pour chaque ouverture, le plus élevé l'emportant.
6. Les appareils de chauffage à profil bas sont conçus pour des applications avec des températures ambiantes qui se situent entre -40 °C et 32 °C (-40 °F et 90 °F).
7. L'appareil n'est pas conçu pour être installé à l'extérieur.
8. Dans les garages ou dans d'autres zones de hangars d'aviation, comme les bureaux et les ateliers qui communiquent avec des endroits réservés à l'entretien ou à l'entreposage, le bas de l'appareil doit être à au moins 2,13 m (7 pieds) du sol, sauf si vous installez aussi des protections adéquates pour éviter les contacts avec des pièces mobiles. Dans les stationnements, l'appareil doit être installé conformément à la norme relative aux structures de stationnement ANSI/NFPA 88A et dans les garages de réparation, conformément à la norme NFPA 88B. Au Canada, l'installation d'appareils de chauffage dans des hangars d'aviation doit être effectuée conformément aux exigences de l'autorité de réglementation et, dans les garages publics, conformément aux codes courants CSA B149.
9. Dans un hangar d'aviation, le bas de l'appareil doit être à au moins 3 m (10 pi) au-dessus de la plus haute surface des ailes ou d'un capot moteur, pour l'avion le plus haut que le hangar est destiné à accueillir et doit respecter les prescriptions de l'autorité de réglementation et/ou de la norme NFPA 409-dernière édition.
10. Si l'appareil est installé dans une atmosphère humide ou exposé au brouillard salin, le processus de corrosion sera accéléré et réduira sa durée de vie normale.
11. Dans le cas d'applications commerciales, les appareils ne doivent pas être installés à une hauteur de moins de 2 m (7 pi), mesurée entre le dessous et le plancher (à moins d'installer une protection appropriée des parties mobiles) et, dans le cas d'applications résidentielles, à une hauteur de moins de 1,5 m (5 pi) entre le dessous et le plancher.
12. Vérifiez qu'il n'y a pas d'obstacles devant la prise d'air et la sortie d'air chaud.
13. Les dégagements prescrits par rapport aux surfaces combustibles sont calculés pour que la température de surface du matériau combustible ne dépasse pas 71 °C (160 °F). L'espacement au-dessus de l'appareil peut devoir être augmenté par rapport au minimum prescrit, si une telle température risque d'endommager les matériaux situés au-dessus de l'appareil.
14. Prévoyez un dégagement de 46 cm (18 po) à l'arrière (ou de 15 cm (6 po) au-delà de l'extrémité du moteur, selon la plus grande des deux valeurs) et du côté de la porte d'accès pour assurer assez d'air pour le bon fonctionnement du ventilateur et pour la combustion.
15. L'installation doit se faire conformément aux codes locaux de la construction ou, à défaut de tels codes, conformément à la Partie 7 « Venting of Equipment » du National Fuel Gas Code, ANSI Z223.1 (NFPA 54) - dernière édition. Au Canada, l'installation doit se faire conformément à la norme CSA B149.1.
16. La purge de l'air des tuyauteries de gaz doit se faire selon la procédure ANSI Z223.1 de la dernière édition du « National Fuel Gas Code » ou des codes CSA B149 du Canada.

⚠ ATTENTION

17. Pour l'essai d'étanchéité des tuyauteries d'alimentation en gaz, l'appareil et son régulateur de gaz combiné doivent être isolés pour tout essai à une pression supérieure à 3,5 kPa (14 po d'eau ou 0,5 psi).
18. L'appareil doit pouvoir être isolé de la conduite d'alimentation en gaz par la fermeture d'un robinet d'arrêt manuel posé à l'installation. Ce robinet d'arrêt doit être à une distance d'au moins 1,8 m (6 pi) de l'appareil de chauffage.
19. Fermez l'arrivée générale de gaz avant d'installer l'appareil.
20. Vérifiez que la tension du secteur n'est pas inférieure de plus de 5 % à la tension nominale inscrite sur la plaque de l'appareil.
21. Mesurez la pression d'entrée du gaz en amont du régulateur de gaz combiné. La pression d'entrée de l'appareil doit être de 6 à 7 po d'eau pour le gaz naturel ou de 12 à 14 po d'eau pour le propane. Si la pression d'entrée est trop élevée, installez un détendeur supplémentaire en amont du régulateur de gaz combiné.
22. L'entretien et les réparations doivent être confiés à un entrepreneur qualifié.
23. N'essayez pas de réutiliser un contrôleur mécanique ou électronique d'allumage qui a été mouillé. Remplacez tout contrôleur défectueux.

IMPORTANT

1. Pour éviter une défaillance prématurée de l'échangeur de chaleur, AUCUN appareil chauffé au gaz ne devrait être installé dans des locaux dont l'atmosphère contient des vapeurs corrosives (chlorées, halogénées ou acides).
2. Pour éviter une défaillance prématurée de l'échangeur de chaleur, le pouvoir calorifique du gaz utilisé ne doit pas dépasser de plus de 5 % la valeur nominale inscrite sur la plaque signalétique de l'appareil.
3. Pour essayer la plupart des solutions possibles suggérées dans les tableaux de dépannage, 21,1, reportez-vous aux sections correspondantes du manuel.

FACTEURS DE CONVERSION SI (SYSTÈME MÉTRIQUE)

Pour convertir	Multiplier par	Pour obtenir
po d'eau.	0,249	kPa
°F	$(°F-32) \times 5/9$	°C
BTU	1,06	kJ
Btu/pi ³	37,3	kJ/m ³
Btu/h	0,000293	kW
CFH (pi ³ /h)	0,000472	m ³ /min
CFH (pi ³ /h)	0,00000787	m ³ /s
CFM (pi ³ /min)	0,0283	m ³ /min
CFM (pi ³ /min)	0,000472	m ³ /s

Pour convertir	Multiplier par	Pour obtenir
pieds	0,305	m
Gal/h	0,00379	m ³ /h
Gal/h	3,79	L/h
gallons	3,79	l
Puissance	746	W
pouces	25,4	mm
livres	0,454	kg
psig	6,89	kPa
psig	27,7	po d'eau.

AVANT DE COMMENCER

⚠ ATTENTION

1. Toute la documentation livrée avec l'appareil doit être conservée pour référence lors des opérations d'entretien et de diagnostic des pannes. Laissez le manuel au propriétaire. Ne jetez aucune documentation fournie avec cet appareil.
2. Consultez les instructions du présent manuel en matière de tuyauterie, de câblage électrique et d'évacuation des gaz avant d'effectuer l'installation finale.
3. Ne raccordez pas les gaines, les filtres à air ou les faisceaux de tubes à un appareil à soufflante.

Aux États-Unis, l'installation de ces appareils doit se faire conformément au code « National Fuel Gas Code », ANSI Z223.1, dernière édition (NFPA 54) et aux autres codes locaux applicables au lieu de construction. Au Canada, l'installation de ces appareils doit se faire conformément aux codes locaux de la plomberie et des eaux usées, et aux autres codes applicables, ainsi qu'à la version courante du code CSA B149.1.

1. Toutes les opérations d'installation et d'entretien de ces appareils doivent uniquement être confiées à une entreprise qualifiée, telle que définie dans la dernière édition de la norme ANSI Z223.1 ou, au Canada, par un installateur de gaz certifié.
2. Cet appareil est homologué avec le système de commande fourni. Veuillez commander les pièces de rechange d'après la liste de pièces qui se trouve sur la plaque signalétique. Ayez toujours à portée de la main les numéros de modèle et de série. Nous nous réservons le droit de substituer d'autres commandes homologuées comme pièces de rechange.
3. L'appareil est équilibré pour un fonctionnement correct. Ne modifiez pas le ventilateur ou ne faites pas fonctionner les moteurs à vitesse réduite.
4. La documentation sur les organes de régulation est fournie séparément.
5. Le même brûleur convient pour le gaz naturel et pour le propane.

EMPLACEMENT DE L'APPAREIL

EMPLACEMENT DE L'APPAREIL



DANGER

Les appareils doivent être installés de façon à ne pas être exposés à des atmosphères potentiellement explosives ou inflammables.



ATTENTION

1. Les dégagements par rapport aux matériaux combustibles adjacents sont essentiels. Assurez-vous de respecter toutes les exigences mentionnées.
2. N'installez pas les appareils dans des pièces très hermétiques ou des petits compartiments (espaces clos) sans établir une bonne ventilation et une entrée d'air de combustion. L'air de combustion doit avoir accès à l'espace clos à travers deux ouvertures permanentes au moins dans l'enceinte, dont une au moins à proximité du fond. Ces ouvertures doivent fournir un espace libre de 6,45 cm² ou d'un pouce carré par tranche de 1000 BTU/h de puissance calorifique de l'appareil ou un minimum de 645 cm² ou 100 pouces carrés pour chaque ouverture, le plus élevé l'emportant.
3. Les appareils de chauffage à profil bas sont conçus pour des applications à des températures ambiantes qui se situent entre -40 °C et 32 °C (-40 °F et 90 °F).
4. L'appareil n'est pas conçu pour être installé à l'extérieur.
5. Dans les garages ou dans certaines parties des hangars d'aviation, comme les bureaux et les ateliers qui communiquent avec des endroits réservés à l'entretien ou à l'entreposage, le bas de l'appareil doit être placé à au moins 2,13 m (7 pieds) du sol, sauf si des protections adéquates sont installées pour éviter les contacts avec des pièces mobiles. Dans les garages de stationnement, l'appareil doit être installé conformément à la norme ANSI/NFPA 88A des structures de stationnement, et dans les garages de réparation conformément à la norme NFPA 88B. Au Canada, l'installation d'appareils de chauffage dans des hangars d'aviation doit être effectuée conformément aux exigences de l'autorité de réglementation et, dans les garages publics, conformément aux codes courants CSA B149.
6. Dans un hangar d'aviation, le bas de l'appareil doit être à au moins 3 m (10 pi) de la plus haute surface des ailes ou d'un capot moteur, pour l'avion le plus haut que le hangar est destiné à accueillir et doit respecter les prescriptions de l'autorité de réglementation et/ou de la norme NFPA 409-dernière édition.
7. Si l'appareil est installé dans une atmosphère humide ou de brouillard salin, il sera soumis à une corrosion accélérée qui réduira sa durée de vie normale.

IMPORTANT

Pour éviter une défaillance prématurée de l'échangeur de chaleur, AUCUN appareil chauffé au gaz ne devrait être installé dans des locaux dont l'atmosphère contient des vapeurs corrosives (soit chlorées, halogénées ou acides).

Recommandations pour le choix de l'emplacement

1. Les facteurs à considérer pour le choix de l'emplacement de l'appareil de chauffage sont les distances prescrites et les besoins de chauffage, l'endroit où se trouve l'arrivée du gaz et l'entrée électrique, ainsi que la proximité des conduits d'évacuation.
2. Il est également important de tenir compte du fait que l'évacuation des gaz doit se faire à l'extérieur du local.
3. Assurez-vous que le support de l'appareil est assez solide pour porter son poids. Le bon fonctionnement de l'appareil suppose un montage horizontal et de niveau.
4. N'installez pas l'appareil à un endroit où ses gaz brûlés pourraient être aspirés à l'intérieur d'un édifice voisin par une fenêtre, une prise d'air frais, etc.
5. Vérifiez que les distances minimales aux surfaces combustibles et les dégagements recommandés pour l'entretien sont respectés. Les distances d'installation et les dégagements minimaux sont indiqués au tableau 4,1.

Tableau 4,1 Dégagements

Face du boîtier	Distance à un matériau combustible	Dégagement pour l'entretien recommandé
Dessus et dessous	25 mm (1 po)	25 mm (1 po)
Côté porte d'accès	46 cm (18 po)	46 cm (18 po)
Côté opposé à la porte	25 mm (1 po)	25 mm (1 po)
Arrière	46 cm (18 po)	46 cm (18 po)
Conduit de raccordement	10 cm (4 po)	10 cm (4 po)

6. N'installez pas l'appareil dans un endroit où son système d'allumage du gaz pourrait être exposé à des projections d'eau, à la pluie ou à des eaux de ruissellement.
7. La hauteur de montage (mesurée du bas de l'appareil) est un aspect critique de l'installation. Pour les hauteurs de montage et les portées de chauffage, reportez-vous aux pages 19-20 de ce manuel. La hauteur de montage maximale est le niveau pour lequel l'air chaud de l'appareil n'atteint plus le plancher.

Exigences en matière d'air de combustion

Le National Fuel Gas Code définit un « espace non clos » (unconfined space) comme un espace offrant un volume de plus de 1,41 mètre cube (50 pieds cubes) par tranche de 1000 Btu/h de puissance calorifique de l'appareil ou des appareils installés. Un espace offrant un volume de moins de 1,41 mètre cube (50 pieds cubes) par tranche de 1000 Btu/h de puissance calorifique installée est considéré comme un espace clos.

L'installation de ces appareils de chauffage dans des espaces clos résidentiels n'est pas recommandée. Cette recommandation est basée sur le fait qu'à un certain moment, les ouvertures d'air de combustion prévues par l'installateur pourraient être bloquées ou masquées, intentionnellement ou accidentellement. Si, malgré cette recommandation, vous décidez d'installer l'appareil dans un espace clos résidentiel, il faut consulter le National Fuel Gas Code ANSI Z223.1 ou le code d'installation CSA B149.1, dernière édition, pour connaître les dispositions détaillées relatives à l'air de combustion. L'installation doit aussi respecter ces exigences.

Les appareils installés dans des espaces clos d'installations industrielles ou commerciales doivent disposer d'ouvertures permanentes - l'une proche du haut et l'autre proche du bas de l'espace clos. Chaque ouverture devrait avoir un espace libre d'au moins 6,45 cm carrés (un pouce carré) par tranche de 1000 Btu/h de puissance calorifique totale de tous les appareils qui se trouvent dans un espace clos, et devrait communiquer librement avec les zones intérieures, lesquelles à leur tour devraient avoir une infiltration adéquate de l'extérieur.

Pour plus de détails sur l'approvisionnement de combustion dans des espaces clos (hermétiquement fermés) ou espaces libres, consultez le National Fuel Gas Code ANSI Z223.1 ou le code d'installation CSA B149.1, dernière édition.

Inverser l'appareil en le tournant de 180° (modèles 30-75 seulement)

Tous les appareils sont livrés avec les commandes à gauche, lorsqu'on les regarde de l'avant. Si l'installation nécessite que les commandes soient sur le côté droit, tous les appareils, sauf les HD/HDB 100 et 125, peuvent être retournés en suivant les instructions ci-après.

- Le fait de retourner l'appareil de 180° par rapport à sa position d'origine, inverse ses côtés, mais l'avant et l'arrière conservent leurs positions relatives. Le panneau du bas devient le panneau du haut, et vice-versa.
- Le panneau d'accès doit être démonté, retourné de 180° et remis en place de manière que ses étiquettes d'information soient lisibles.
- Enlevez les persiennes à ressort, retournez-les et remontez-les dans l'autre sens. Ouvrez et réglez les persiennes pour que l'air chaud soit rabattu vers le plancher.

MONTAGE DE L'APPAREIL

ATTENTION

1. Dans le cas d'applications commerciales, les appareils ne doivent pas être installés à une hauteur de moins de 2 m (7 pi), mesurée entre le dessous et le plancher (à moins d'installer une protection appropriée des parties mobiles) et, dans le cas d'applications résidentielles, à une hauteur de moins de 1,5 m (5 pi) entre le dessous et le plancher.
2. Vérifiez qu'il n'y a pas d'obstacles devant la prise d'air et la sortie d'air chaud.
3. Les dégagements prescrits par rapport aux surfaces combustibles sont calculés pour que la température de surface du matériau combustible ne dépasse pas 71 °C (160 °F). L'espacement au-dessus de l'appareil peut devoir être augmenté par rapport au minimum prescrit, si une telle température risque d'endommager les matériaux situés au-dessus de l'appareil.
4. Prévoyez un dégagement de 46 cm (18 po) à l'arrière ou de 15 cm (6 po) au-delà de l'extrémité du moteur, selon la plus grande des deux valeurs, et du côté de la porte d'accès pour assurer assez d'air pour le bon fonctionnement du ventilateur et pour la combustion.

1. Assurez-vous que les pièces de suspension sont capables de supporter le poids de l'appareil (voir les pages 19-20 pour les poids).
2. Le bon fonctionnement de l'appareil suppose qu'il soit monté horizontal et de niveau.
3. Les dégagements par rapport aux surfaces combustibles, telles que spécifiées précédemment, doivent être strictement maintenues.
4. Installez les supports de fixation avant d'amener l'appareil à sa position de montage.
 - Pour un montage normal (commandes à gauche), retirez les trois (3) vis et la ferrure de montage du bord supérieur, à l'avant et à l'arrière de l'appareil. Remontez la ferrure avant en alignant les trous de vis de la ferrure avec ceux du bord supérieur de l'appareil, comme illustré sur la figure 5,1. Procédez de la même façon pour la ferrure arrière.
 - Pour une installation avec les commandes à droite, retirez les trois (3) vis et la ferrure de montage du bord supérieur, à l'avant et à l'arrière de l'appareil. Installez la ferrure avant en alignant les trous de vis de la ferrure avec ceux du nouveau bord supérieur de l'appareil, comme illustré sur la figure 5,2. Procédez de la même façon pour la ferrure arrière.

Figure 5,1

Appareil monté en position normale

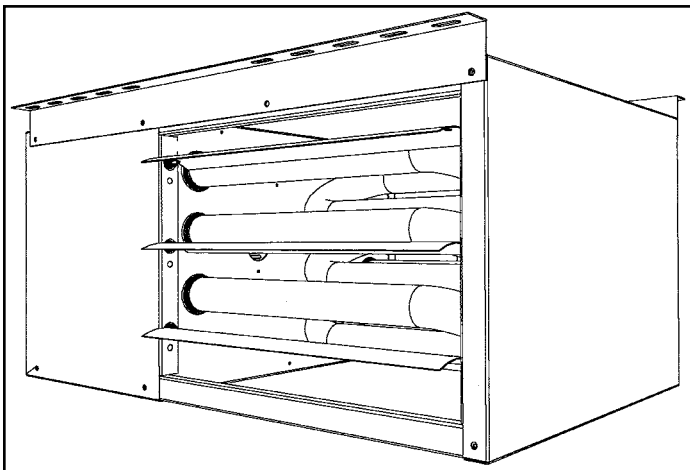
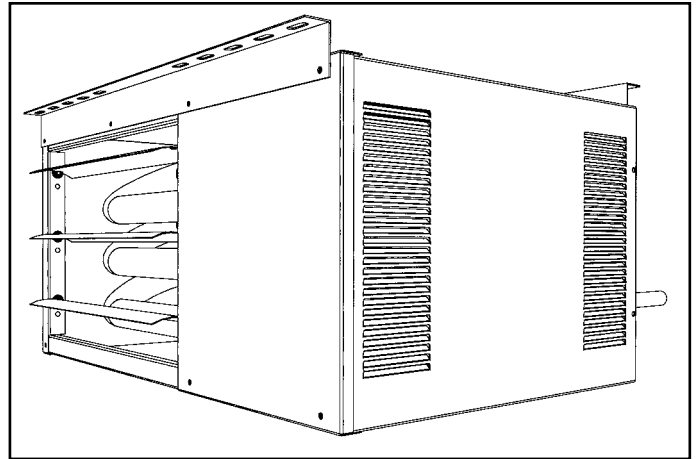


Figure 5,2

Appareil tourné de 180° (modèles 30-75 seulement)
(Panneau d'accès et sortie d'air réchauffé changent de côté)



- 5a. **Suspension par des vis ou des tirefonds** : Fixez les ferrures de montage aux solives ou aux poutrelles du plafond en utilisant des vis 1/4 po munies de rondelles 1/2 po. Les ferrures de montage en cornière sont percées pour des solives espacées de 40 ou 61 cm (16 ou 24 po).
- 5b. **Suspension par des tiges filetées** : Cet appareil de chauffage peut également être suspendu en utilisant les mêmes ferrures de montage et des tiges filetées. Fixez la tige filetée à la ferrure avec des écrous vissés de part et d'autre de la pièce. Percez ensuite des trous dans un profilé en U ou une cornière au même espacement que les dimensions choisies sur l'appareil à installer. Les cornières ou les profilés doivent être fixés sur toute la longueur de l'appareil entre les éléments structuraux du bâtiment. Coupez les tiges filetées à la longueur désirée et enfitez-les dans les trous du profilé ou de la cornière en les fixant avec des rondelles plates et des écrous freinés, des rondelles de blocage et des écrous, ou encore avec un écrou et un contre-écrou.
- 5c. **Montage sur console** : L'appareil peut aussi être installé sur une console ou une étagère. Pour cela, montez les ferrures de fixation, comme expliqué dans la note 4, mais en bas plutôt qu'en haut de l'appareil. Les ferrures sont fixées à la console avec les mêmes vis (1/4 po et rondelles 1/2 po) que pour la suspension à des solives ou des poutrelles. Assurez-vous que toutes les distances aux surfaces combustibles sont respectées.

INSTALLATION - ÉVACUATION



AVERTISSEMENT

1. Un système d'évacuation est obligatoire pour les appareils de chauffage au gaz – ne les faites jamais fonctionner sans évacuation des gaz.
2. Un extracteur incorporé assure la circulation des gaz - il est inutile ou interdit d'installer un dispositif d'extraction externe.
3. Si vous remplacez un équipement de chauffage existant, vous aurez peut-être à modifier le système d'évacuation des gaz brûlés. Un système d'évacuation de section insuffisante peut causer des refoulements de gaz brûlés ou la formation de condensat. Reportez-vous au code National Fuel Gas ANSI Z223.1 ou à la dernière édition de la norme CSA B149.1. Le non-respect de ces prescriptions peut avoir des graves ou mortelles.
4. Il est interdit d'accoupler deux longueurs de tuyau à double paroi dans une même installation d'évacuation horizontale à cause de l'impossibilité de vérifier l'étanchéité des raccords du tuyau intérieur.



ATTENTION

L'installation doit se faire conformément aux codes locaux de la construction ou, à défaut de tels codes, conformément à la Partie 7 « Venting of Equipment » du National Fuel Gas Code, ANSI Z223.1 (NFPA 54) - dernière édition. Au Canada, l'installation doit se faire conformément à la norme CSA B149.1.

Les circuits d'évacuation des modèles HD/HDB doivent être conformes aux descriptions des présentes instructions pour conduire les gaz de combustion de l'appareil ou de son raccord de sortie vers l'atmosphère extérieure.

Les instructions d'évacuation sont organisées en sections, selon le type d'installation. Ces sections sont identifiés de la manière suivante :

Instructions	Instructions d'installation par type de système d'évacuation
A	Instructions générales applicables à TOUTES les installations
B	VERTICALE ①
C	HORIZONTALE de catégorie III ①
D	HORIZONTALE de catégorie I ①

① Les différences entre les systèmes verticaux, les systèmes horizontaux de catégorie III, et les systèmes horizontaux de catégorie I sont indiquées dans la Section A – Instructions générales – Tous modèles.

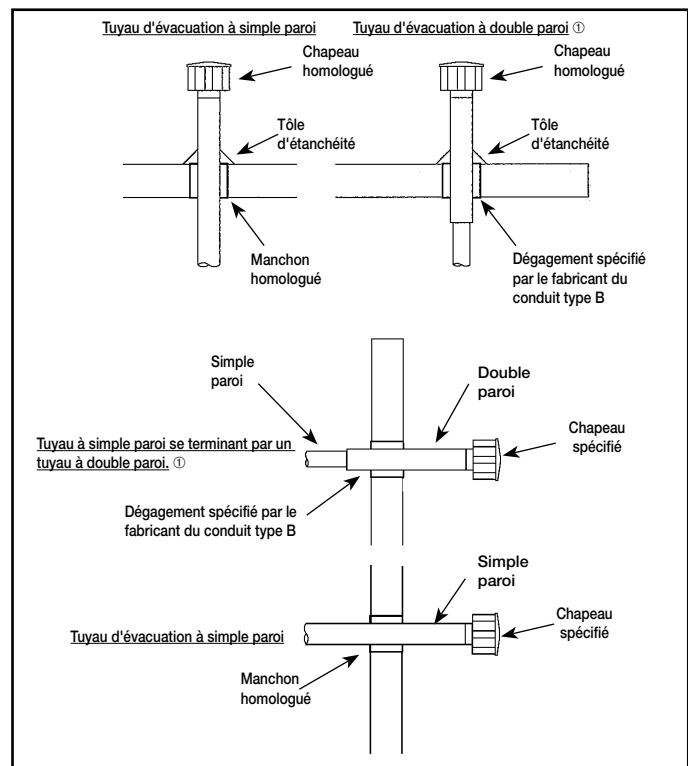
Section A – Instructions générales – Tous modèles

- A1.** Si l'appareil que vous installez remplace un équipement existant et utilise le même système d'évacuation, inspectez le système d'évacuation pour vérifier que les diamètres et la pente des tuyaux sont conformes aux exigences de ANSI Z223.1 ou de CSA B149.1, dernière édition, et aux présentes instructions. Déterminez s'il n'y a pas d'obstructions, de restrictions, de fuites, de signes de corrosion ou d'autres défauts pouvant compromettre la sécurité.
- A2.** Le conduit d'évacuation doit être en acier galvanisé ou autre matériau anticorrosion approprié (sauf pour les systèmes de type horizontal de catégorie III, qui seront couverts dans la section C). L'épaisseur minimale du conduit d'évacuation est spécifiée dans le « National Fuel Gas Code ». L'épaisseur minimale des raccords dépend du diamètre du tuyau. N'utilisez jamais des tuyaux d'évacuation en PVC ou autres types de plastique.
- A3.** Tous les appareils de chauffage sont livrés avec un adaptateur d'évacuation installé en usine pour le tuyau d'évacuation (3 po pour les capacités 30-75, ou 4 po pour les capacités 100-125). Fixez le tuyau d'évacuation à l'adaptateur avec 3 vis anticorrosion. (Percez un avant-trou à travers le tuyau d'évacuation et l'adaptateur avant de poser la vis).

- A4.** Il est recommandé de prévoir un raccord droit d'au moins 30 cm (12 po) entre la sortie de l'appareil et le conduit d'évacuation.
- A5.** Les conduits d'évacuation doivent avoir une pente minimale vers l'aval (à l'opposé de l'appareil) d'au moins 21 mm par mètre (1/4 po par pied) et doivent être solidement suspendus à la structure en des points espacés de 0,90 m (3 pi) au maximum.
- A6.** Les tuyaux doivent être fixés les uns aux autres par au moins 3 vis à tôle anticorrosion.
- A7.** Les tuyaux à simple paroi doivent être éloignés d'au moins 15 cm (6 po) des surfaces combustibles. Pour des tuyaux à double paroi, suivez les instructions du fabricant en matière de dégagement. La distance minimale aux surfaces combustibles est basée sur une température de surface du matériau ne dépassant pas 71 °C (160 °F). L'éloignement du tuyau (ou la hauteur au-dessus de l'appareil) pourra devoir être augmenté à plus de 15 cm (6 po) si la chaleur risque de causer des dommages autre que le feu (comme des déformations ou une altération de couleur).
- A8.** Évitez de faire passer le conduit à travers un espace non chauffé, dans la mesure du possible. Si le tuyau traverse un espace non chauffé ou si l'appareil est installé dans un environnement propice à la condensation, il faudra isoler toute longueur de tuyau de plus de 1,5 m (5 pi) afin de minimiser la condensation. Vérifiez l'étanchéité avant de poser l'isolation et utilisez un matériau d'isolation incombustible certifié pour au moins 205 °C (400 °F). Installez un té formant un point de purge avec bouchon de nettoyage au point le plus bas du système d'évacuation, comme illustré à la figure 8,1.
- A9.** Si le tuyau traverse une cloison INTÉRIEURE ou un plancher combustible, la traversée doit être munie d'un manchon métallique d'un diamètre supérieur de 10 cm (4 po) à celui du tuyau. Si le tuyau situé entre l'appareil et la traversée du mur ou du plancher a une longueur supérieure à 1,8 m (6 pi), le manchon peut avoir un diamètre de 5 cm (2 po) seulement de plus que le tuyau. S'il n'y a pas de manchon de traversée, tous les matériaux combustibles doivent être découpés pour assurer un dégagement d'au moins 15 cm (6 po) tout autour du tuyau. Sous réserve de l'accord des autorités compétentes locales, une évacuation de type B peut être utilisée comme dernier tronçon du conduit d'évacuation pour maintenir un dégagement par rapport aux combustibles lors du passage à travers le mur ou le plancher. Voir la figure 6,1 Tout matériau utilisé pour boucher cette ouverture doit être incombustible.

Figure 6,1

Cheminée traversant un mur ou un toit combustible



① Consultez les instructions A10 pour savoir comment attacher un tuyau à simple paroi à un tuyau à double paroi.

INSTALLATION - ÉVACUATION

A10. Instructions générales pour l'installation du tuyau de chapeau à double paroi (Type B) :

Raccordement d'un chapeau de cheminée à paroi simple à un tuyau d'évacuation à double paroi (type B) :

1. Recherchez la flèche « de sens » sur le tuyau d'évacuation.
2. Fixez le chapeau de cheminée à l'extrémité du tuyau d'évacuation à double paroi.
3. Percez trois avant-trous à travers le tuyau et le chapeau de cheminée. Utilisez des vis à tête de 3/4 po pour fixer le chapeau au tuyau. Ne serrez pas trop.

Comment fixer un tuyau d'évacuation à paroi simple à un tuyau à double paroi (type B) :

1. Enfoncez le tuyau à simple paroi dans la paroi interne du tuyau à double paroi.
2. Percez trois avant-trous à travers les deux épaisseurs des tuyaux. Utilisez des vis à tête de 3/4 po pour fixer les deux tuyaux. Ne serrez pas trop.
3. L'espace annulaire entre les tuyaux à double et à simple paroi doit être scellé mais il n'est pas nécessaire de remplir tout le volume. Pour fermer l'ouverture annulaire, appliquez un large boudin de Silastic 400 °F (205 °C).

A11. Les dégagements doivent être maintenus jusqu'à la sortie du conduit d'évacuation :

Tableau 7,1 - Information concernant les dégagements des conduits d'évacuation

Structure	Dégagements minimums pour le conduit d'évacuation
Prise d'air forcé à moins de 3 m (10 pi)	0,9 m (3 pi) au-dessus
Prise d'air de combustion d'un autre appareil	1,8 m (6 pi) toutes directions
Porte, fenêtre, prise d'air libre ou autre ouverture du bâtiment	1,2 m (4 pi) horizontalement ou en dessous 0,9 m (3 pi) au-dessus
Compteur électrique, compteur à gaz, régulateur de gaz ou évent ①	1,2 m (4 pi) horizontalement (US) 1,8 m (6 pi) horizontalement (Canada)
Régulateur de gaz ①	0,9 m (3 pi) horizontalement (US) 1,8 m (6 pi) horizontalement (Canada)
Mur ou parapet de bâtiment adjacent	1,8 m (6 pi) toutes directions
Passage public adjacent	2,1 m (7 pi) toutes directions
Niveau du sol	0,9 m au-dessus ②

① L'évent ne doit pas déboucher au-dessus d'un compteur ou d'un régulateur de gaz.

② L'évent doit se trouver à au moins 15 cm (6 po) au-dessus du niveau prévisible de la neige.

A12. N'utilisez PAS de registres ni d'autres accessoires dans les conduits d'évacuation ou d'air de combustion.

A13. Des précautions appropriées doivent aussi être prises pour éviter la dégradation des matériaux de couverture par les produits de combustion.

A14. Un tuyau d'évacuation à simple paroi ne doit pas traverser un grenier inoccupé, une cloison, un vide de construction ou un plancher.

A15. Dans les régions où la température d'hiver utilisée pour le calcul à 99 % est inférieure à 0 °C (32 °F), il n'est pas permis d'utiliser des tuyaux simples pour l'évacuation à l'extérieur des gaz de combustion.

A16. En plus de ces instructions générales, il convient d'observer les instructions particulières données pour les systèmes d'évacuation des types vertical, horizontal catégorie III ou horizontal catégorie I. Le tableau 7,2 indique les différences :

Tableau 7,2 - Exigences ANSI pour les conduits d'évacuation des appareils de chauffage

Catégorie	Description	Exigences d'évacuation
I	Pression d'évacuation négative sans condensation	Suivez les exigences d'évacuation standard
II	Pression d'évacuation négative avec condensation	Le condensat doit pouvoir s'égoutter.
III	Pression d'évacuation positive sans condensation	Le conduit d'évacuation doit être étanche aux gaz
IV	Pression d'évacuation positive avec condensation	L'évacuation doit être étanche aux gaz et aux liquides Le condensat doit pouvoir s'égoutter.

Remarque : Les tuyaux de raccordement desservant des appareils de catégorie I ne doivent pas être reliés à une partie d'un système d'évacuation à tirage mécanique fonctionnant avec une pression positive.

Détermination du système d'évacuation – Catégorie I verticale

- Conduit vertical débouchant verticalement (vers le haut).
- La partie horizontale du circuit ne doit dépasser 75 % de la hauteur verticale (Exemple : Si la hauteur est 3 m (10 pi), la partie horizontale ne doit pas dépasser 2,3 m (7,5 pi).
- Le niveau de la sortie du système d'évacuation doit être à au moins 1,5 m (5 pi) au-dessus du raccord de l'appareil.
- Si le système d'évacuation respecte TOUTES ces exigences (voir l'exemple de la figure 9,1), passez à la section B – Installation des systèmes d'évacuation verticale. Dans tous les autres cas, continuez à la section suivante pour déterminer s'il s'agit d'un système horizontale de catégorie I ou III.

Détermination d'un système d'évacuation horizontal de catégorie I ou III

- Conduit horizontal débouchant horizontalement (sur le côté du bâtiment).
- Un système d'évacuation qui se termine verticalement mais comporte une partie horizontale de plus de 75 % de sa hauteur verticale est considéré comme horizontal.

La grande majorité des configurations horizontales appartiennent à la catégorie III. Pour les installations résidentielles, cela implique l'emploi de conduits en acier inoxydable homologués (UL1728) de catégorie III. D'autres exigences, notamment celles qui s'appliquent aux installations commerciales et industrielles figurent dans la section C – Installations de systèmes d'évacuation horizontale de catégorie III.

Dans les applications résidentielles qui respectent les dimensions et les limitations de sortie, il est permis d'utiliser des produits moins coûteux prévus pour la catégorie I. Ces limitations sont résumées dans le tableau 7,3.

Tableau 7,3 - Limitations des systèmes d'évacuation horizontaux de catégorie I

Modèle (capacité)	Chapeau de cheminée	Nombre max de coudes	Hauteur verticale minimum pour évacuation horizontale (po)	Longueur maximale pour évacuation horizontale (pi)	Diamètre du conduit (po)
30	Té	1	0	10	5
	Té	1	0	5	4
	Chapeau	2 ①	4 ②	10	5
	Chapeau	2 ①	12 ②	5	4
45	Chapeau	2 ①	18 ②	10	4
	Té	1	0	10	5
	Chapeau	2 ①	12 ②	10	5
60	Chapeau	2 ①	18 ②	5	4
	Té	1	0	10	5
75	Chapeau	2 ①	15-②	10	5
	Té	1	0	5	5
100	Chapeau	2 ①	18 ②	5	5
	Té	1	0	10	6
125	Chapeau	2	30	5	6
	Té	1	0	10	6
125	Chapeau	2	30	5	6
	Té	1	0	10	6

① L'un des deux coudes permis est nécessaire dans le cas du circuit d'évacuation des figures 12,3 et 12,4

② Un coude ajoute une hauteur verticale de 10 cm (4po). On peut donc soustraire ce 10 cm (4po) de la hauteur du conduit d'évacuation verticale. Si la hauteur minimum requise est de 10 cm (4po) vous n'avez pas à ajouter de tuyau vertical au coude d'évacuation.

Si les conditions indiquées pour les systèmes horizontaux de catégorie I existent, on peut suivre les instructions de la section D – Installation des systèmes d'évacuation horizontale de catégorie I. Sinon, procédez selon les instructions de la Section C – Installation des systèmes d'évacuation horizontale de catégorie III.

INSTALLATION - ÉVACUATION

Section B – Installation des systèmes d'évacuation verticale

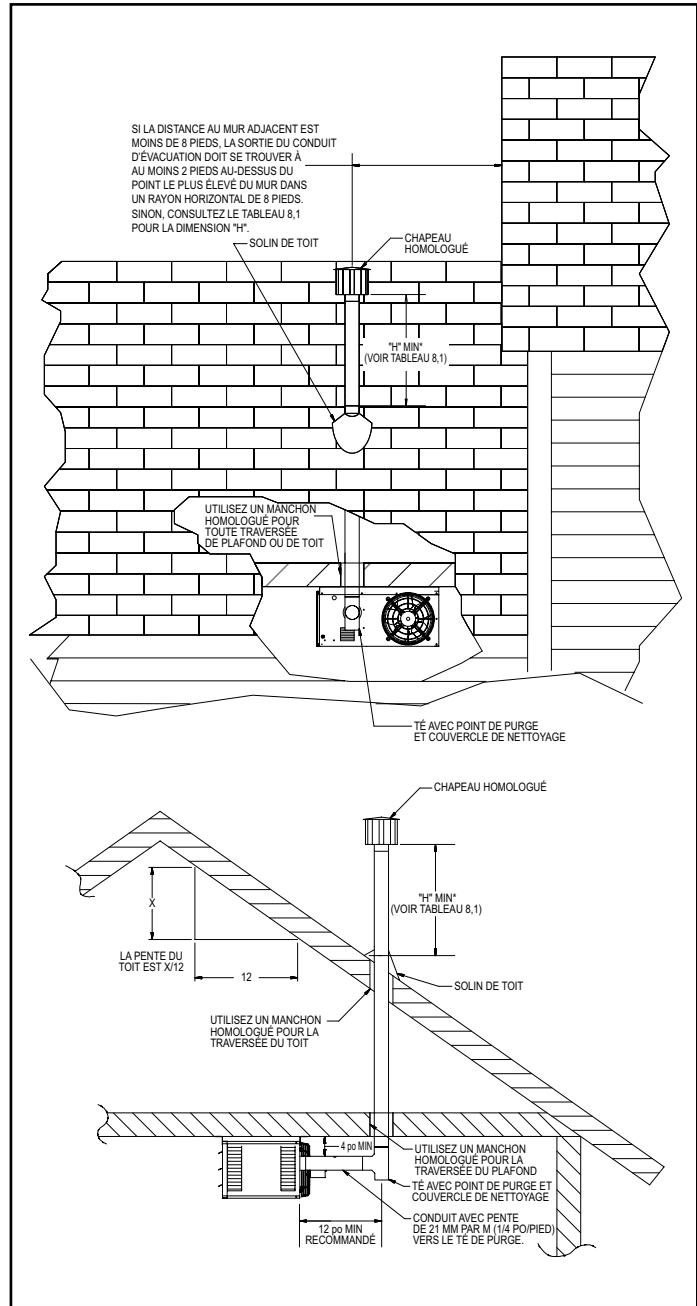
- B1. Cette section s'applique aux systèmes d'évacuation verticale de catégorie I et complète les prescriptions de la section A – Instructions générales – Tous modèles.
- B2. Les systèmes verticaux consistent en un conduit vertical débouchant verticalement (vers le haut).
- B3. La partie horizontale du conduit ne doit dépasser 75 % de la hauteur verticale (Exemple : Si la hauteur est 3 m (10 pi), la partie horizontale ne doit pas dépasser 2,3 m (7,5 pi)).
- B4. Il est recommandé de toujours poser un té dont la branche verticale munie d'un bouchon servira à collecter les liquides, comme sur la figure 8,1.
- B5. Le niveau de l'orifice de sortie doit être à au moins 1,5 m (5 pi) au-dessus du raccord de l'appareil.
- B6. Tous les appareils de chauffage à évacuation verticale de catégorie I doivent être raccordés à une cheminée ou à un système d'évacuation conforme à une norme reconnue, ou à une cheminée en maçonnerie (ou en béton) doublée d'un matériau intérieur approuvé par l'autorité compétente. L'évacuation vers une cheminée en maçonnerie non doublée n'est pas permise. Référez-vous au « National Fuel Gas Code », pages 13 et 14 pour une évacuation commune.
- B7. Utilisez un chapeau de cheminée approuvé pour réduire le refoulement de tirage et l'entrée d'eau de pluie dans le tuyau.
- B8. Il est recommandé d'utiliser des tuyaux à double paroi, bien que les tuyaux à simple paroi soient permis si les prescriptions du « National Fuel Gas Code » sont observées.
- B9. Les conduits verticaux doivent se terminer à des distances horizontales et verticales minimales des lignes de toiture et des murs ou obstacles adjacents. Ces distances minimales sont les suivantes (selon les exigences du National Fuel Gas Code pour des diamètres de conduit inférieures à 12 po) :
- Pour des conduits d'évacuation à double paroi et une distance horizontale de 2,4 m (8 pi) ou plus de tout mur vertical ou obstacle similaire, le conduit doit se terminer au-dessus du toit, conformément à la figure 8,1 et au tableau 8,1.
 - Pour des conduits d'évacuation à double paroi et une distance horizontale de moins de 2,4 m (8 pi) de tout mur vertical ou obstacle similaire, le conduit doit se terminer à au moins 0,6 m (2 pi) au-dessus du point le plus haut de sa traversée du toit et à au moins 0,6 m (2 pi) au-dessus de toute partie horizontale du bâtiment dans un rayon de 3 m (10 pi). Voir la Figure 8,1.

Tableau 8,1 - Hauteur minimale de l'orifice de sortie le plus bas au-dessus du toit

Hauteur X (po)	Pente du toit	Hauteur mini. H (pi) ①
0-6	Plat à 6/12	1,00
6-7	6/12 à 7/12	1,25
7-8	7/12 à 8/12	1,50
8-9	8/12 à 9/12	2,00
9-10	9/12 à 10/12	2,50
10-11	10/12 à 11/12	3,25
11-12	11/12 à 12/12	4,00
12-14	12/12 à 14/12	5,00
14-16	14/12 à 16/12	6,00
16-18	16/12 à 18/12	7,00
18-20	18/12 à 20/12	7,50
20-21	20/12 à 21/12	8,00

① Dimensions selon la couche de neige prévue.

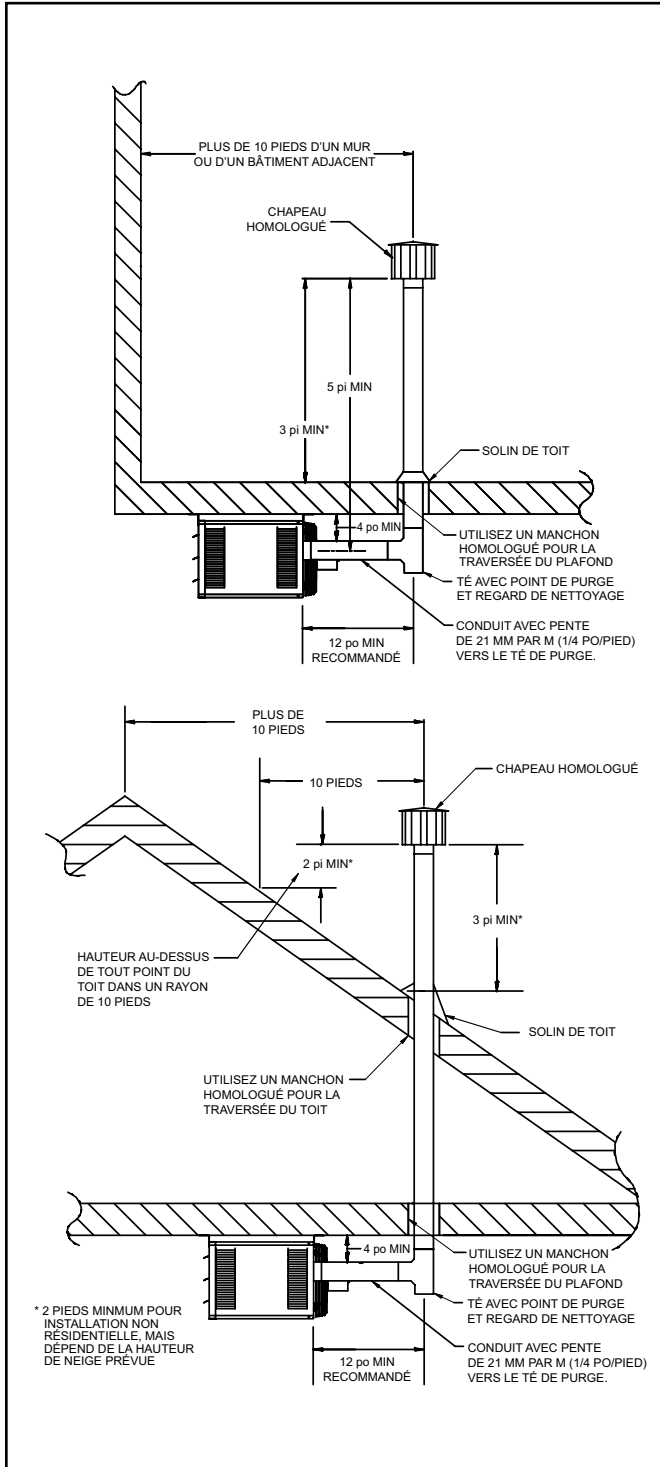
Figure 8,1 - Sortie verticale de conduit à double paroi débouchant à plus ou moins de 2,4 m (8 pieds) horizontalement d'un mur ou d'un obstacle vertical



INSTALLATION - ÉVACUATION

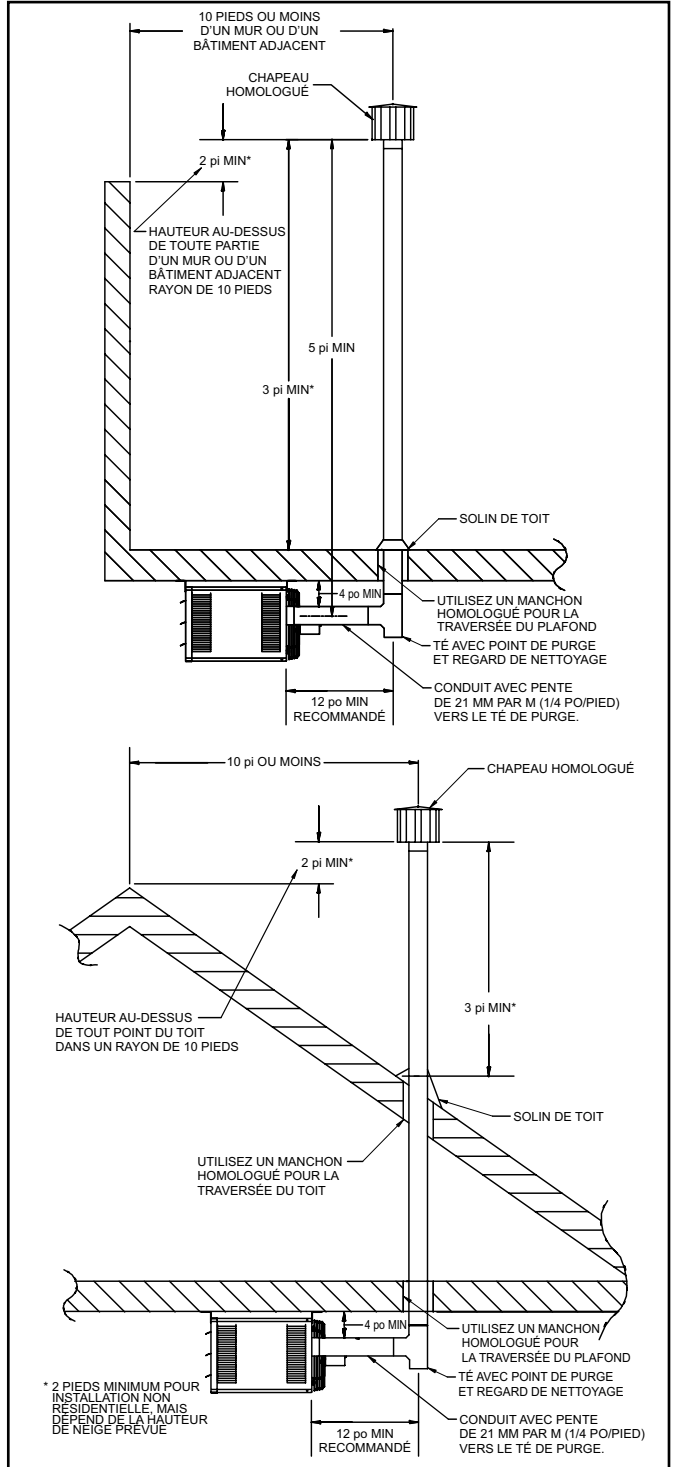
- Pour les conduits à simple paroi débouchant à une distance horizontale de 3 m (10 pi) ou plus d'une partie quelconque d'un bâtiment, le conduit doit se prolonger sur au moins 0,9 m (3 pi) – 0,60 m (2 pi) pour les installations non résidentielles – au-dessus du point le plus haut où le conduit sort du toit et à 0,60 m (2 pi) au-dessus de toute partie du bâtiment située dans un rayon horizontal de 3 m (10 pi). Voir la figure 9,1

Figure 9,1 - Sortie verticale de conduit à simple paroi débouchant à plus de 3 m (10 pieds) horizontalement d'un mur ou d'un bâtiment adjacent



- Pour des conduits d'évacuation à simple paroi débouchant à moins de 3 m (10 pi) horizontalement de toute partie du bâtiment, le conduit doit se terminer à 0,6 m (2 pi) au-dessus de ladite partie. Voir la figure 9,2

Figure 9,2 - Sortie verticale de conduit à simple paroi débouchant à 3 m (10 pieds) ou moins horizontalement d'un mur ou d'un bâtiment adjacent



B10. Une fois que le système d'évacuation a été établi, passez à la section « Installation – Raccordements de gaz ».

INSTALLATION - ÉVACUATION

Section C – Installation des systèmes d'évacuation horizontale de catégorie III.

- C1. Cette section s'applique aux systèmes d'évacuation horizontale de catégorie III et complète les prescriptions de la section A – Instructions générales – Tous modèles.
- C2. Tous les appareils à évacuation horizontale par des conduits de 3 pouces (capacités 30-75) ou 4 pouces (capacités 100 et 125) sont de catégorie III. La catégorie III impose les exigences particulières suivantes :
- Tous les appareils de chauffage résidentiels de catégorie III à évacuation horizontale doivent être munis d'un système d'évacuation homologué en catégorie III par une agence officielle. Vous trouverez des systèmes d'évacuation officiellement homologués en catégorie III chez votre distributeur local de tuyaux d'évacuation. Suivez les instructions du fabricant du système d'évacuation certifié catégorie III pour l'installation.
 - Pour les appareils de chauffage commerciaux et industriels à évacuation horizontale, vous pouvez utiliser soit des conduits homologués en catégorie III, soit des conduits à simple paroi en acier inoxydable ou en acier galvanisé. Si un tuyau d'évacuation à simple paroi est utilisé, toutes les rivures et tous les joints doivent être scellés avec du ruban métallique ou Silastic certifié pour des températures allant jusqu'à 205 °C (400 °F). Faites deux tours de ruban complets autour du tuyau. Les installations prescrites pour des tuyaux à simple paroi peuvent aussi comprendre une longueur continue de tuyau à double paroi. Voir le point A10 de la section A – Instructions générales – Tous modèles pour les transitions entre double paroi et simple paroi.
- C3. La longueur équivalente totale du conduit d'évacuation doit être comprise entre un minimum de 0,9 m (3 pi) et un maximum de 9,1 m (30 pi), avec un tracé aussi rectiligne que possible. La longueur équivalente d'un coude de 3 pouces est 0,3 m (1 pi), celle d'un coude de 4 pouces est 1,5 m (5 pi).
- C4. Tous les systèmes d'évacuation horizontale de catégorie III doivent être terminés avec un chapeau de cheminée Gary Steel modèle 1092. Les distances minimales du chapeau au mur extérieur sont indiquées au tableau 10,1.

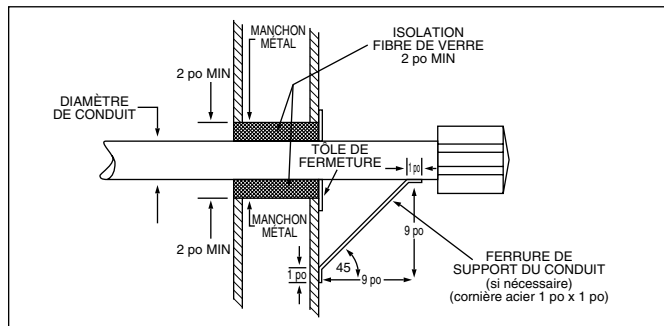
Tableau 10,1
Longueur minimale entre le mur externe et l'évacuation

Modèle (capacité)	Application	Longueur mini. A ①
30-75	Résidentiel et commercial	11"
100, 125	Résidentiel	12"
100, 125	Commercial	24"

① Référez-vous aux figures 10,2 et 10,3.

C5. Le tuyau doit être supporté comme illustré à la figure 10,1.

Figure 10,1 - Construction d'une traversée à travers une paroi combustible et support de cheminée



- C6. Si la condensation risque d'être un problème, le système d'évacuation ne doit pas déboucher au-dessus d'une voie publique ou d'une zone où le condensat ou la vapeur pourrait créer une nuisance ou un danger, ou pourrait affecter le fonctionnement de régulateurs ou d'événements, ou autres équipements.
- C7. Le système d'évacuation ne doit pas desservir plus d'un appareil de chauffage et ne doit pas servir à d'autres fins. Pour les systèmes d'évacuation communs, l'appareil doit être traité en catégorie I. Référez-vous aux instructions de la Section C – Installation des systèmes d'évacuation horizontale de catégorie III.
- C8. Pour une évacuation horizontale, il faut maintenir une pente montante de 21 mm par mètre (1/4 po par pied) vers l'aval et placer un té d'égouttement avec bouchon de nettoyage, comme illustré à la figure 10,2. Sous réserve de l'accord des autorités locales, une pente de 21 mm par mètre (1/4 po par pied) vers l'aval est acceptable avec un té d'égouttement avec bouchon de nettoyage près de la sortie, comme illustré à la figure 10,3, ou encore un écoulement direct du condensat au bout du tuyau.

Figure 10,2 - Évacuation horizontale de catégorie III avec pente montante

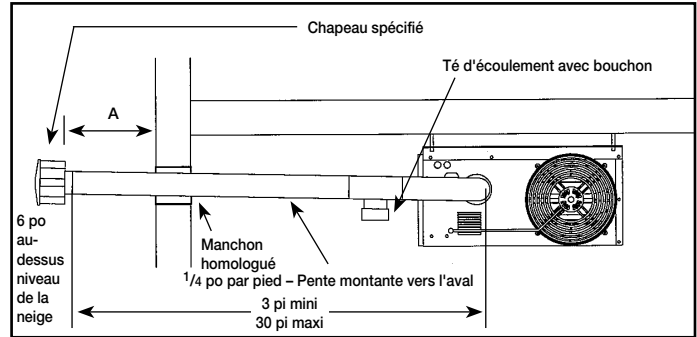
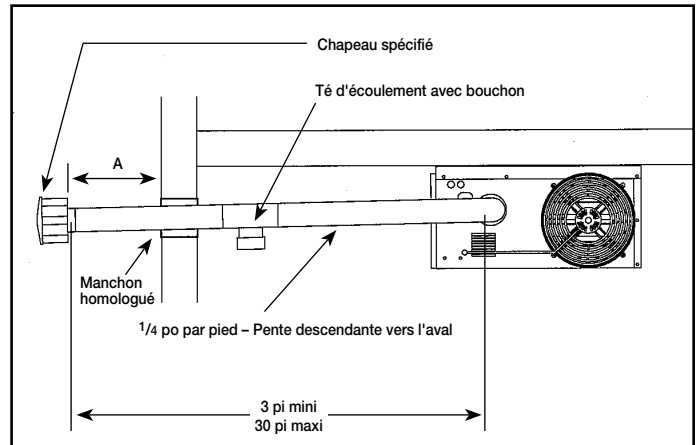


Figure 10,3 - Évacuation horizontale de catégorie III avec pente descendante (avec point de purge)



- C9. Lorsqu'un chapeau de cheminée est situé sous un avant-toit, la distance du porte-à-faux ne doit pas dépasser 61 cm (24 po). Les dégagements par rapport aux surfaces combustibles d'un conduit d'évacuation extérieur doivent être de 24 cm (12 po) au minimum. Consultez le National Fuel Gas Code pour les exigences additionnelles relatives aux avant-toits ayant des ouvertures de ventilation.
- C10. Une fois que le système d'évacuation a été établi, passez à la section « Installation – Raccordements de gaz ».

INSTALLATION - ÉVACUATION

Section D – Installation des systèmes d'évacuation horizontale de catégorie I (résidentiel seulement).

- D1. Cette section s'applique aux systèmes d'évacuation horizontale de catégorie I et complète les prescriptions de la section A – Instructions générales – Tous modèles.
- D2. Les appareils de chauffage peuvent être équipés d'un système d'évacuation horizontale de catégorie I seulement pour les installations résidentielles. Pour les autres types d'installations, procédez selon les instructions de la Section C – Installation des systèmes d'évacuation horizontale de catégorie III.
- D3. Tous les appareils installés avec des systèmes d'évacuation horizontale de catégorie I doivent être équipés d'une transition à 4 pouces ou à 5 pouces pour les capacités 30-75 et à 6 pouces pour les capacités 100-125. L'ensemble du système d'évacuation doit être réalisé avec des tuyaux et des accessoires de 4, 5 ou 6 pouces à simple paroi. Le tableau 11,1 résume les règles de choix des diamètres de tuyaux.

Tableau 11,1 Limitations des systèmes d'évacuation horizontaux de catégorie I

Modèle (capacité)	Chapeau de cheminée	Nombre max de coudes	Hauteur verticale minimum pour évacuation horizontale (po)	Longueur maximale pour évacuation horizontale (pi)	Diamètre du conduit (po)
30	Té	1	0	10	5
	Té	1	0	5	4
	Chapeau	2 ①	4 ②	10	5
	Chapeau	2 ①	12 ②	5	4
	Chapeau	2 ①	18 ②	10	4
45	Té	1	0	10	5
	Chapeau	2 ①	12 ②	10	5
	Chapeau	2 ①	18 ②	5	4
60	Té	1	0	10	5
	Chapeau	2 ①	15-②	10	5
75	Té	1	0	5	5
	Chapeau	2 ①	18 ②	5	5
100	Té	1	0	10	6
	Chapeau	2	30	5	6
125	Té	1	0	10	6
	Chapeau	2	30	5	6

① L'un des deux coudes permis est nécessaire dans le cas du circuit d'évacuation des figures 12,3 et 12,4

② Un coude ajoute une hauteur verticale de 10 cm (4po). On peut donc soustraire ce 10 cm (4po) de la hauteur du conduit d'évacuation verticale. Si la hauteur minimum requise est de 10 cm (4po) vous n'avez pas à ajouter de tuyau vertical au coude d'évacuation.

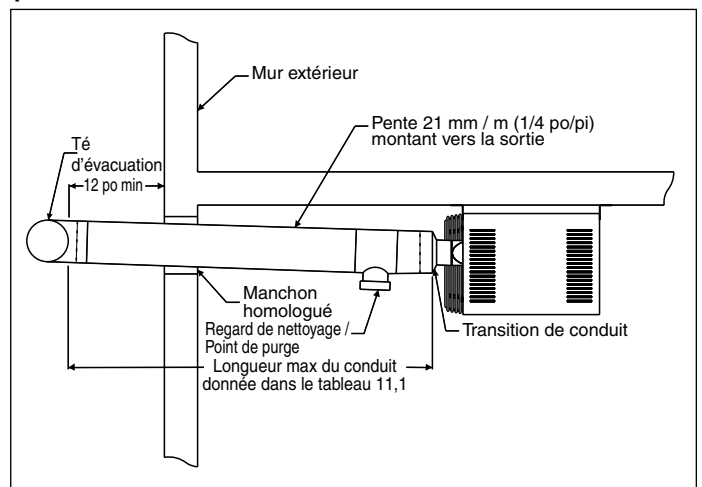
- D4. Toutes les rivures et tous les joints des tuyaux à simple paroi doivent être scellés avec du ruban métallique ou Silastic certifié pour 205 °C (400 °F). Faites deux tours de ruban complets autour du joint du tuyau d'évacuation. Une longueur continue du tuyau à double paroi peut être incorporée dans un système d'évacuation à simple paroi. Voir le point A10 de la section A – Instructions générales – Tous modèles pour les transitions entre double paroi et simple paroi.

- D5. La longueur maximale du parcours horizontal de l'évacuation ne doit pas dépasser la longueur indiquée dans le tableau 11,1. Les systèmes d'évacuation horizontale de catégorie I doivent être terminés par un té standard ou Gary Steel 1092. Le tableau 11,1 donne le nombre maximum de coudes, la pente de la partie horizontale et la hauteur verticale minimale du tuyau d'évacuation horizontale pour chaque configuration.

- Si vous utilisez un té de cheminée standard, ses extrémités ouvertes devraient être orientées horizontalement. Avec cette orientation, le dégagement minimal par rapport aux surfaces combustibles est 15 cm (6 po) mesuré du dessus du té à l'avant-toit. Si le té est tourné verticalement le dégagement minimal sera de 68 cm (27 po) mesuré du dessus du té à l'avant-toit. Reportez-vous à la Figure 12,1 Le té d'évacuation devrait être muni d'un grillage anti-oiseaux en matériau résistant à la corrosion. Les mailles du grillage aviaire ne doivent pas être plus grandes que 6,35 mm (1/4 po).
- Avec un chapeau de cheminée, le dégagement minimal par rapport aux surfaces combustibles sera de 15 cm (6 po) mesuré du dessus du chapeau à l'avant-toit. Reportez-vous à la Figure 12,1.

- D6. Pour une évacuation horizontale, il faut maintenir une pente montante de 21 mm par mètre (1/4 po) par pied depuis l'appareil. Placez un té d'égouttement avec un bouchon de nettoyage près du raccord de sortie de l'appareil. Voir les Figures 11,1 et 12,3 Si les autorités locales le permettent, une pente descendante de 21 mm par mètre (1/4 po par pied) est acceptable. Avec un té, le condensat peut s'égoutter à la sortie Voir la figure 12,2 Lorsqu'on utilise un chapeau de cheminée avec une extension, l'installateur devra percer un trou de 9,5 mm (3/8 po) de diamètre dans le point le plus bas du système d'évacuation pour permettre l'écoulement de la condensation à l'extérieur. Voir la Figure 12,4.

Figure 11,1
Évacuation horizontale de catégorie I - Té avec pente montante



- D7. Si l'évacuation de l'appareil n'est pas partagée avec d'autres appareils, passez à la section intitulée « Installation - Raccordement de gaz ». Sinon, passez à la page 13.

INSTALLATION - ÉVACUATION

Figure 12,1
Évacuation horizontale de catégorie I - Dégagement par rapport à l'avant-toit

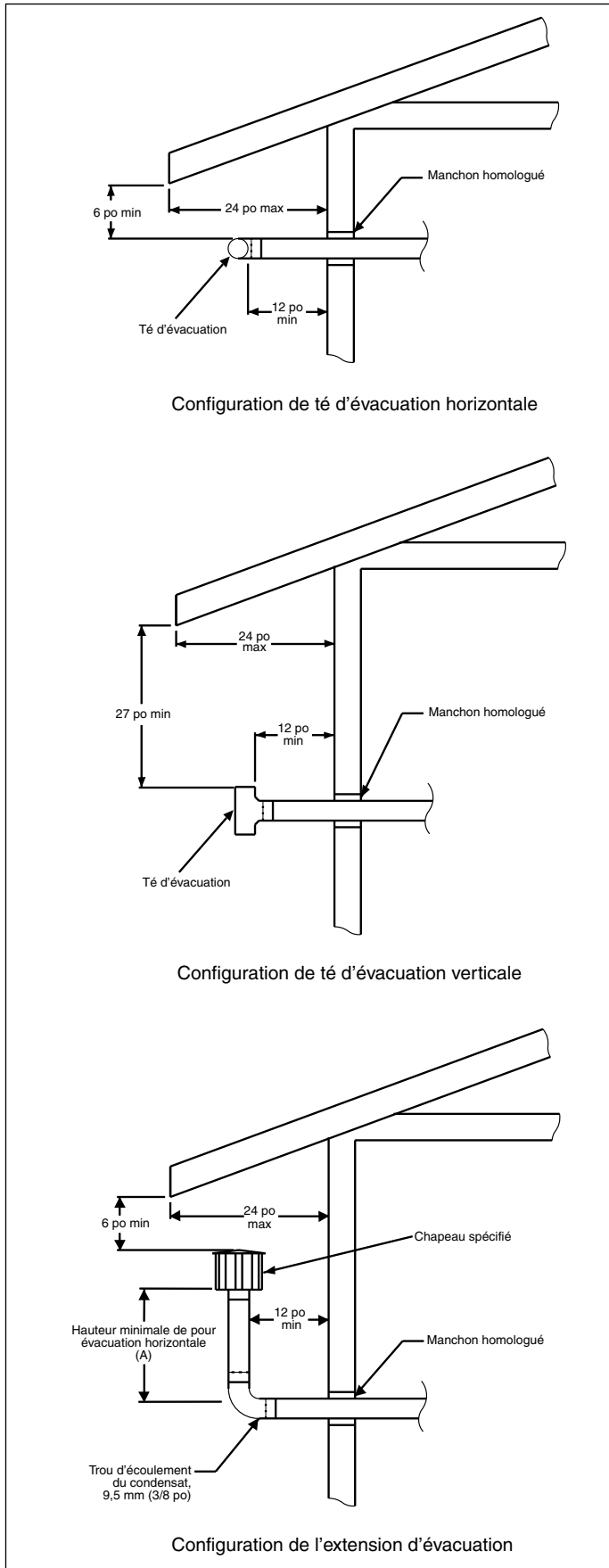


Figure 12,2
Évacuation horizontale de catégorie I - Té avec pente descendante

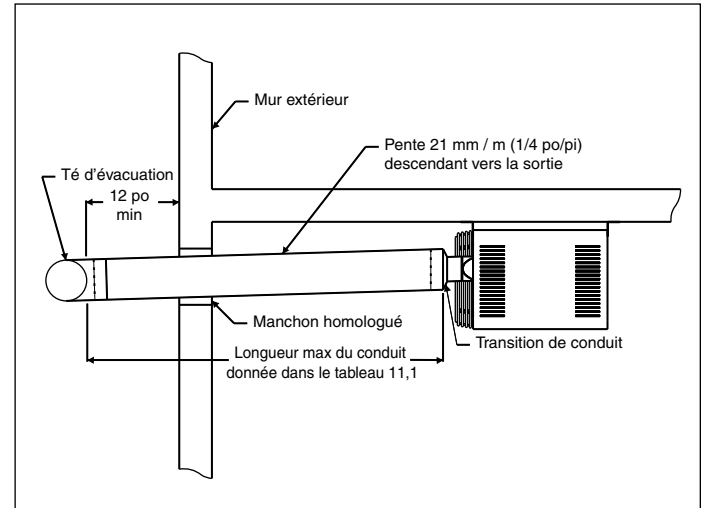


Figure 12,3
Évacuation horizontale de catégorie I - Té avec pente montante

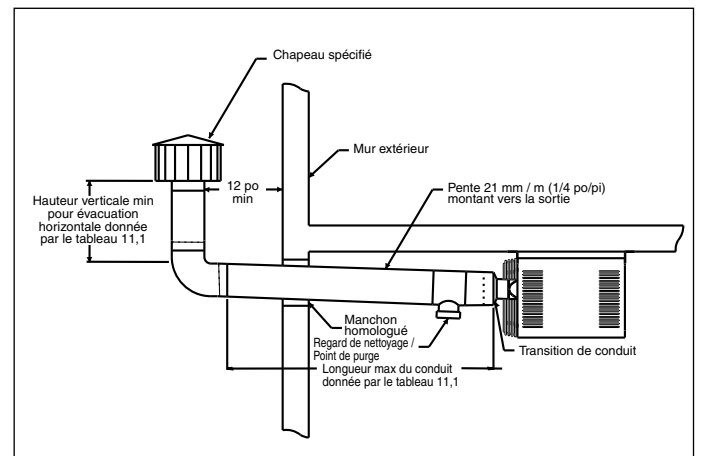
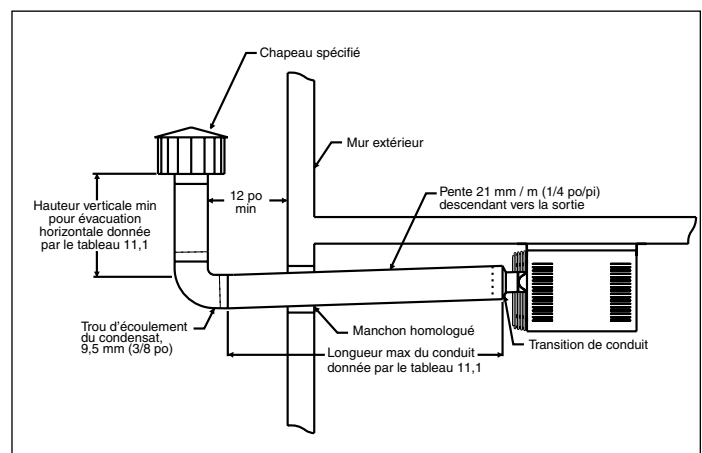


Figure 12,4
Évacuation horizontale de catégorie I - Té avec pente descendante



INSTALLATION - ÉVACUATION

Exigences additionnelles relativement à l'évacuation commune :

1. Le système d'évacuation commune et tous les appareils connexes doivent être de catégorie I.
2. Le conduit de raccordement doit emprunter le chemin le plus direct qui relie les appareils à l'évacuation commune.
3. Lorsque deux conduits de raccordement aboutissent à un système d'évacuation commun ou à une cheminée commune, le conduit le plus petit doit entrer le plus haut que le permet la hauteur du plafond ou le dégagement obligatoire par rapport aux matériaux combustibles.
4. Les restrictions à l'intérieur de l'évacuation commune telles que les coudes doivent être minimisées. Chaque coude installé dans la partie commune du système d'évacuation réduit la capacité maximale d'évacuation commune de 10 % (consultez les tableaux 13,2 et 13,4 pour la capacité)
5. Les capacités du conduit de raccordement incluses dans ces tableaux permettent l'utilisation de deux coudes de 90 degrés (ou angles) Pour tout coude additionnel, la capacité du conduit d'évacuation sera réduite de 10 %. Consultez les tableaux NFPA54/ IFEC pour connaître les capacités.
6. La superficie de la section transversale de l'évacuation commune doit être égale ou supérieure à la plus grande superficie de la section transversale du conduit d'évacuation.

Tableau 13,1 - Parcours horizontal maximal de raccordement (pi) du conduit de raccordement et de l'évacuation commune de type B

Modèle	Diamètre raccord	Hauteur d'évacuation					
		6 pi	8 pi	10 pi	15 pi	20 pi	30 pi
30	3	6	8	10	10	11	12
	4	4	4	4	5	5	6
	5	S/O	S/O	S/O	S/O	S/O	S/O
45	3	S/O	S/O	S/O	4,5	9	13,5
	4	6	8	10	10	14	15
	5	S/O	S/O	S/O	S/O	S/O	S/O
60	3	S/O	S/O	S/O	S/O	S/O	4,5
	4	6	8	10	15	20	23
	5	6	8	10	14	15	17
75	4	S/O	S/O	10	15	20	30
	5	6	8	10	15	20	24
100	4	S/O	S/O	S/O	S/O	S/O	30
	5	6	8	10	15	20	30
	6	6	8	10	15	20	28
125	4	S/O	S/O	S/O	S/O	S/O	S/O
	5	S/O	S/O	S/O	15	20	30
	6	6	8	10	15	20	30

Basé sur NFPA 54 (ANSI Z223.1)2002. Pour référence seulement.

Tableau 13,2 - Capacités totales maximales de production (MBh) du conduit de raccordement de type B et évacuation commune de type B

Hauteur d'évacuation (pi)	Diamètre de l'évacuation commune							
	4 po		5 pi		6 pi		7 pi	
	Forcé+ Forcé	Forcé+ Nat	Forcé+ Forcé	Forcé+ Nat	Forcé+ Forcé	Forcé+ Nat	Forcé+ Forcé	Forcé+ Nat
6	92	81	140	116	204	161	309	248
8	101	90	155	129	224	178	339	275
10	110	97	169	141	243	194	367	299
15	125	112	195	164	283	228	427	352
20	136	123	215	183	314	255	475	394
30	152	138	244	210	361	297	547	459

Basé sur NFPA 54 (ANSI Z223.1)2002. Pour référence seulement.

7. Si tous les appareils sont au même niveau dans le bâtiment, la hauteur d'évacuation doit être mesurée à partir du coupe-tirage ou conduit d'évacuation le plus élevé qui doit être installé dans le système d'évacuation commune (consultez les figures 14,1 et 14,2).
8. Les systèmes d'évacuation de tous les appareils doivent être conformes aux tableaux 13,1 à 13,4 pour l'évacuation commune.
9. Toutes les cheminées en maçonnerie doivent se conformer à l'ensemble des codes locaux et nationaux.
10. Si plusieurs conduits de raccordement sont raccordés à un même collecteur avant d'aboutir à la partie verticale de l'évacuation commune, les sections du collecteur commun et du conduit d'évacuation commune seront déterminées en appliquant une réduction de 10 % (0,90 fois la capacité maximale du tableau 13,2 ou 13,4) à la partie de capacité d'évacuation commune des tableaux d'évacuation commune (consultez la figure 14,3). Le collecteur d'évacuation commun (Lm) ne doit pas dépasser une longueur de 46 cm (18 po) par pouce de diamètre.
11. Consultez le « National fuel gas code » pour connaître les instructions relatives à une évacuation commune à niveaux multiples et les cheminées en maçonnerie extérieures ainsi que d'autres installations dans les applications citées.

Tableau 13,3 - Longueur horizontale maximum (pi) Conduit de type B avec évacuation commune par cheminée en maçonnerie

Modèle	Diamètre raccord (po)	Hauteur d'évacuation					
		6 pi	8 pi	10 pi	15 pi	20 pi	30 pi
30	3	4,5	4,5	4,5	4,5	4,5	4,5
	4	S/O	S/O	S/O	S/O	S/O	S/O
	5	S/O	S/O	S/O	S/O	S/O	S/O
45	3	4,5	4,5	4,5	4,5	4,5	4,5
	4	6	6	6	6	6	6
	5	S/O	S/O	S/O	S/O	S/O	S/O
60	3	S/O	S/O	S/O	S/O	S/O	S/O
	4	6	6	6	6	6	6
	5	7,5	7,5	7,5	7,5	7,5	7,5
75	4	S/O	6	6	6	6	6
	5	7,5	7,5	7,5	7,5	7,5	7,5
	6	9	9	9	9	9	9
100	4	S/O	S/O	S/O	S/O	6	6
	5	7,5	7,5	7,5	7,5	7,5	7,5
	6	9	9	9	9	9	9
125	4	S/O	S/O	S/O	S/O	S/O	S/O
	5	S/O	S/O	7,5	7,5	7,5	7,5
	6	9	9	9	9	9	9

Basé sur NFPA 54 (ANSI Z223.1)2002. Pour référence seulement.

Tableau 13,4 - Pouvoir calorifique total maxi (MBh), conduit de raccordement de type B avec évacuation commune par cheminée en maçonnerie.

Hauteur d'évacuation (pi)	Zone de l'évacuation commune							
	12 po ²		19 po ²		28 po ²		38 po ²	
	Forcé+ Forcé	Forcé+ Nat	Forcé+ Forcé	Forcé+ Nat	Forcé+ Forcé	Forcé+ Nat	Forcé+ Forcé	Forcé+ Nat
6	S/O	74	S/O	119	S/O	178	S/O	257
8	S/O	80	S/O	130	S/O	193	S/O	279
10	S/O	84	S/O	138	S/O	207	S/O	299
15	S/O	S/O	S/O	152	S/O	233	S/O	334
20	S/O	S/O	S/O	S/O	S/O	250	S/O	368
30	S/O	S/O	S/O	S/O	S/O	270	S/O	404

Basé sur NFPA 54 (ANSI Z223.1)2002. Pour référence seulement.

INSTALLATION - RACCORDEMENTS DE GAZ

Figure 14,1
Évacuation commune vers un système d'évacuation à double paroi de type B

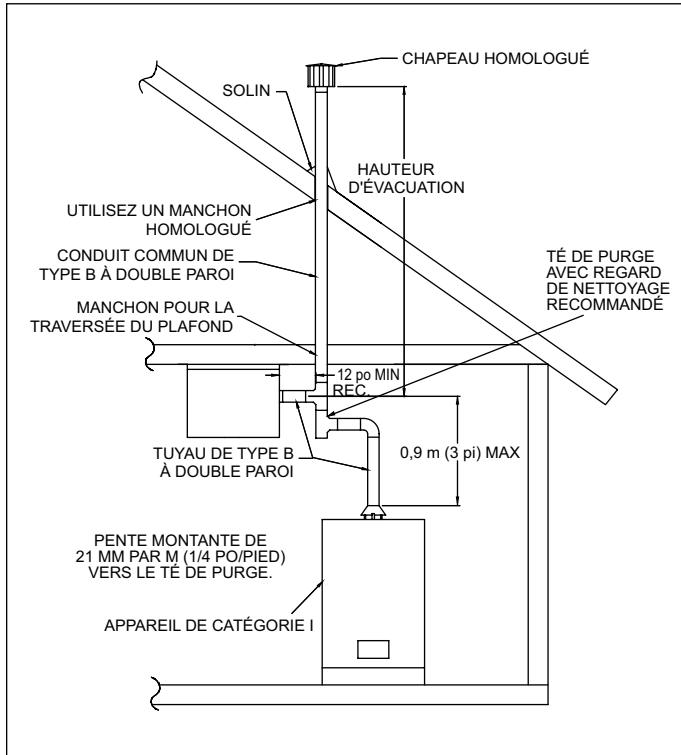


Figure 14,2
Évacuation commune vers une cheminée en maçonnerie

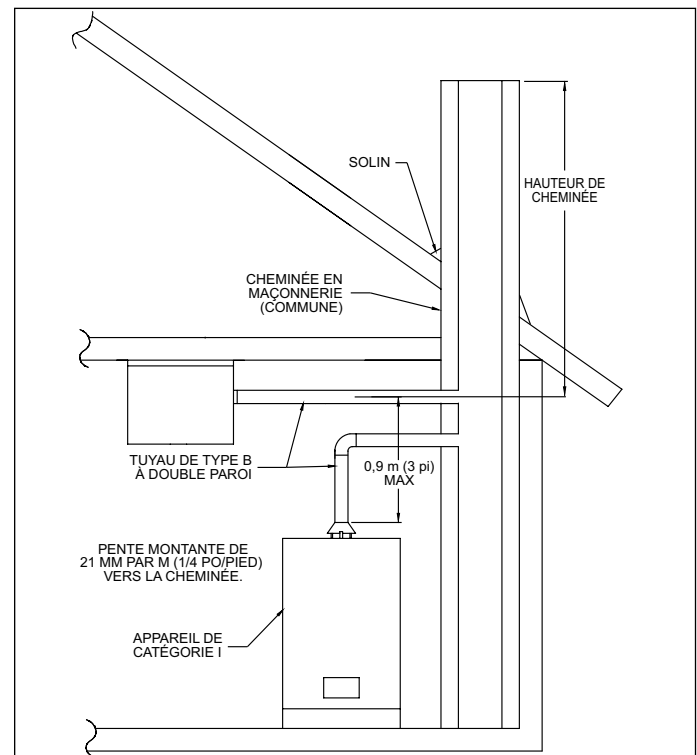
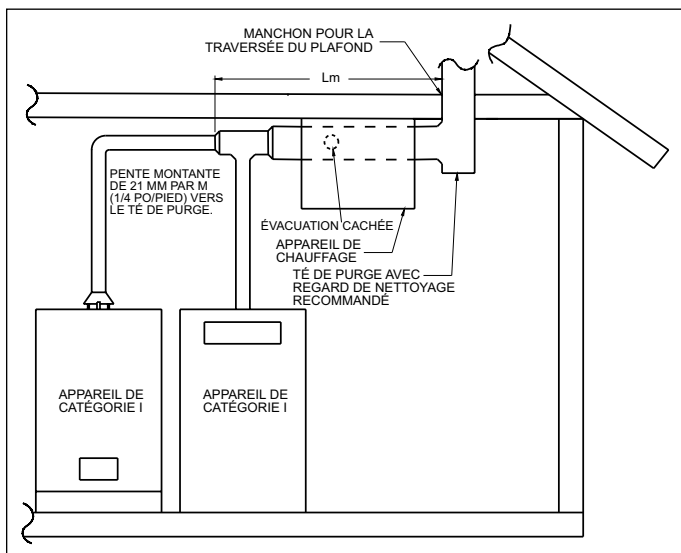


Figure 14,3
Évacuation commune vers un collecteur



RACCORDEMENTS DE GAZ

⚠ AVERTISSEMENT

1. Toutes les tuyauteries de gaz installées sur place doivent être soumises à des essais de pression et d'étanchéité avant la mise en service. Ne recherchez jamais les fuites avec une flamme nue. Utilisez plutôt de l'eau savonneuse ou un produit équivalent.
2. La pression de gaz au régulateur de l'appareil ne doit jamais dépasser 3,5 kPa (14 po d'eau ou 0,5 psi).
3. Pour réduire les risques de condensation, le pouvoir calorifique minimum du gaz (au niveau de la mer) ne doit pas être inférieur de plus de 5 % à la valeur minimale nominale figurant sur la plaque signalétique de l'appareil ou de 5 % à la valeur la plus basse des appareils à double alimentation.

⚠ ATTENTION

1. La purge de l'air des tuyauteries d'alimentation en gaz doit se faire selon la procédure ANSI Z223.1 de la dernière édition du « National Fuel Gas Code » ou des codes CSA B149 du Canada.
2. Pour l'essai d'étanchéité des tuyauteries d'alimentation en gaz, l'appareil et son régulateur de gaz combiné doivent être isolés pour tout essai fait à une pression dépassant 3,5 kPa (14 po d'eau ou 0,5 psi).
3. L'appareil doit pouvoir être isolé de la conduite d'alimentation en gaz par la fermeture d'un robinet d'arrêt manuel posé à l'installation. Ce robinet d'arrêt doit être installé à au moins 1,8 m (6 pi) de l'appareil.
4. Fermez l'arrivée générale de gaz avant d'installer l'appareil.

INSTALLATION - RACCORDEMENTS DE GAZ

IMPORTANT

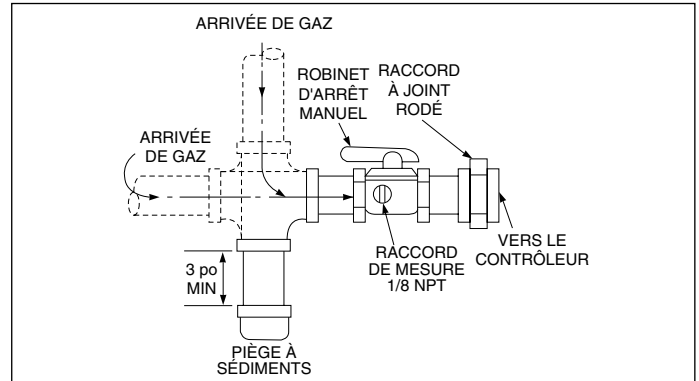
Pour éviter une défaillance prématurée de l'échangeur de chaleur, le pouvoir calorifique du gaz utilisé ne doit pas excéder de plus de 5 % la valeur nominale inscrite sur la plaque signalétique de l'appareil.

1. L'installation doit se faire conformément aux codes locaux de la construction ou, à défaut de tels codes, conformément au National Fuel Gas Code, ANSI Z223.1 (NFPA 54) - dernière édition. Au Canada, l'installation doit se faire selon le code CSA B149.1.
2. Les tuyauteries doivent être conformes aux exigences locales et nationales pour le type et le volume de gaz, ainsi que les pertes de charge admissibles dans les conduites. Voir le tableau 15,1 pour déterminer les débits (pieds cubes/heure), le type de gaz et la capacité de l'appareil à installer. À partir de la valeur du débit et de la longueur de tuyau nécessaire, déterminez le diamètre de tuyau en consultant le tableau 15,2. Si plusieurs appareils de chauffage sont desservis par la même conduite principale, il faut tenir compte de la capacité totale, du débit total et de la longueur totale. N'utilisez pas de tuyau plus petit que 13 mm ou 1/2 po. Le tableau 15,2 est établi pour une perte de charge de 0,075 kPa (0,3 po) d'eau entre la conduite principale du bâtiment et l'appareil de chauffage. La pression du gaz à l'entrée de l'appareil doit être de 1,50 à 1,75 kPa (6 à 7 po d'eau) pour le gaz naturel et de 2,75 à 3,50 kPa (11 à 14 po d'eau) pour le propane. En déterminant le diamètre de la conduite d'alimentation, il faut s'assurer que ces pressions seront respectées à l'entrée de l'appareil malgré la perte de charge de 0,075 kPa (0,3 po d'eau) admissible dans les tuyauteries. Si une perte de charge de 0,075 kPa (0,3 po d'eau) est excessive, consultez le manuel Gas Engineer's Handbook pour déterminer la section des tuyaux de gaz.
3. Installez un raccord union à joint rodé avec un siège en laiton et un robinet d'arrêt manuel adjacent à l'appareil pour les arrêts manuels d'urgence et l'entretien des commandes, comportant un raccord 1/8 NPT avec bouchon obturateur, pour pouvoir brancher un manomètre (voir la figure 15,1).
4. S'il n'est pas possible d'éviter les points bas dans la tuyauterie de gaz, il faut ajouter un collecteur de sédiments en amont de chaque appareil. (Voir la figure 15,1.)
5. Les mesures de pression et les essais d'étanchéité faits à plus de 3,5 kPa (14 po d'eau ou 0,5 psi), fermez le robinet d'arrêt, débranchez l'appareil et son régulateur de gaz combiné de la tuyauterie d'alimentation et bouchez la tuyauterie. Si la pression d'essai ne dépasse pas 3,5 kPa (14 po d'eau ou 0,5 psi), fermez le robinet d'arrêt de l'appareil avant l'essai.

Tableau 15,2
Capacité des tuyaux de gaz

Capacités de débit des tuyaux de gaz (jusqu'à 36 cm (14 po) d'eau, tuyaux de la série 40)													
Débit en pieds cubes à l'heure pour une perte de charge de 0,3 po d'eau													
Gaz naturel – Densité relative 0,60													
Gaz propane – Densité relative 1,50													
Longueur de tuyau (pi)	Diamètre tuyau												
	1/2"		3/4"		1"		1-1/4"		1-1/2"		2"		
	Gaz nat.	Propane	Gaz nat.	Propane	Gaz nat.	Propane	Gaz nat.	Propane	Gaz nat.	Propane	Gaz nat.	Propane	
10	132	83	278	175	520	328	1050	662	1600	1008	3050	1922	
20	92	58	190	120	350	221	730	460	1100	693	2100	1323	
30	73	46	152	96	285	180	590	372	890	561	1650	1040	
40	63	40	130	82	245	154	500	315	760	479	1450	914	
50	56	35	115	82	215	135	440	277	670	422	1270	800	
60	50	32	105	66	195	123	400	252	610	384	1150	725	
70	46	29	96	60	180	113	370	233	560	353	1050	662	
80	43	27	90	57	170	107	350	221	530	334	930	586	
100	38	24	79	50	150	95	305	192	460	290	870	548	
125	34	21	72	45	130	82	275	173	410	258	780	491	
150	31	20	64	40	120	76	250	158	380	239	710	447	

Figure 15,1
Installation recommandée : piège à sédiments et robinet d'arrêt manuel - Pour un raccordement latéral ou par le bas ①



① En position FERMER, la manette du robinet d'arrêt de gaz doit être perpendiculaire au tuyau.

Tableau 15,1 – Pression d'entrée et consommation de gaz

Modèle (capacité)	BTU/pi cube Densité relative	Gaz nat.	Propane	Nb d'orifices
		1050 0,60	2500 1,53	
Pression au collecteur (po d'eau)		3,5	10,0	
30	pi cubes/h	28,6	12,0	2
	Gal/h Propane		0,33	
	Sec/pi cube	126	300	
	Diam. foret pour orifice	49	56	
45	pi cubes/h	42,9	18,0	3
	Gal/h Propane		0,50	
	Sec/pi cube	84	200	
	Diam. foret pour orifice	49	56	
60	pi cubes/h	57,1	24,0	4
	Gal/h Propane		0,66	
	Sec/pi cube	63	150	
	Diam. foret pour orifice	49	56	
75	pi cubes/h	71,4	30,0	5
	Gal/h Propane		0,83	
	Sec/pi cube	50	180	
	Diam. foret pour orifice	49	56	
100	pi cubes/h	95,2	40	5
	Gal/h Propane		1,09	
	Sec/pi cube	38	90	
	Diam. foret pour orifice	45	55	
125	pi cubes/h	119	50	5
	Gal/h Propane		1,37	
	Sec/pi cube	30	72	
	Diam. foret pour orifice	42	53	

INSTALLATION - BRANCHEMENTS ÉLECTRIQUES

RACCORDEMENTS ÉLECTRIQUES

⚠ AVERTISSEMENT

1. Coupez l'alimentation électrique avant de faire les connexions pour éviter les chocs électriques et les dommages à l'équipement.
2. Tous les branchements et câblages doivent être faits en stricte conformité avec le schéma fourni avec l'appareil. Tout câblage différent de celui du schéma peut créer des risques de dommages matériels ou de blessures.
3. Si un câblage d'origine doit être remplacé, il est impératif de le faire avec du fil ou du câble ayant une température nominale de 105 °C ou plus.
4. Vérifiez que la tension du secteur n'est pas inférieure de plus de 5 % à la tension nominale inscrite sur la plaque de l'appareil.

⚠ ATTENTION

Vérifiez que la tension d'alimentation n'est pas inférieure de plus de 5 % à la tension nominale inscrite sur la plaque de l'appareil.

Tout câblage électrique fait lors de l'installation doit respecter les exigences du National Electrical Code ANSI/NFPA 70 – dernière édition, ou du Code canadien de l'Électricité 1, ainsi que les codes locaux applicables. L'appareil doit être mis à la terre selon ces codes. Si un câblage d'origine doit être remplacé, il est impératif de le faire avec un fil ou un câble ayant une température nominale de 105 °C ou plus.

L'alimentation de ces appareils de chauffage doit être protégée par un disjoncteur.

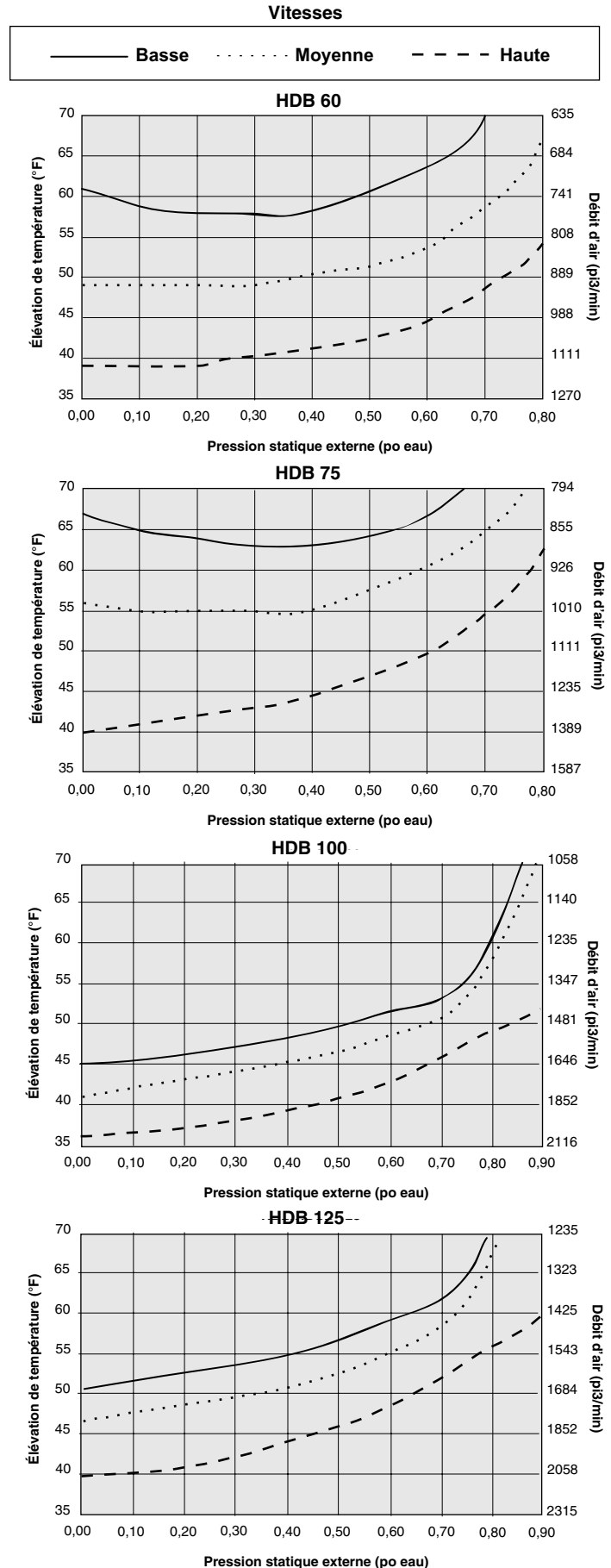
Le thermostat de commande sera installé en fonction des besoins de chauffage, sur une cloison intérieure à environ 1,5 m (5 pi) au-dessus du plancher et de façon à ne pas être exposé à la chaleur de l'appareil de chauffage ou d'une autre source, ni aux courants d'air des portes fréquemment ouvertes. Consultez les instructions fournies avec le thermostat.

Adaptation du câblage des moteurs de soufflante

Les soufflantes incorporées dans les appareils Modine HDB et HDC sont à entraînement direct et munies de moteurs à trois vitesses. L'élévation de la température de l'air de l'appareil est déterminée par la vitesse de la soufflante et la pression statique dans le système. Les appareils sont normalement expédiés avec le moteur de la soufflante réglé pour la plus grande vitesse. Pour sélectionner la vitesse de la soufflante, le fil du moteur doit être connecté à la borne voulue « EAS » ou « Blo » sur le panneau de commande. Les fils inutilisés du moteur pour les autres vitesses sont attachés aux bornes « Park » du tableau. Voir le schéma de câblage à la page 22.

Si l'appareil à soufflante est raccordé à un système de gaines ou à une autre charge, consultez les courbes de performance sur cette page pour déterminer l'élévation de température en fonction de la vitesse du moteur et de la pression statique. Vérifiez que la pression statique de la sortie de l'appareil ne dépasse pas la pression maximale spécifiée pour l'appareil. Si la pression statique est trop élevée, elle doit être abaissée soit en modifiant le système, soit en utilisant une vitesse plus faible du moteur. Si l'appareil s'arrête en fonctionnement normal à cause d'un dépassement du seuil de température maximale, choisissez une vitesse plus élevée du moteur.

Modèles de courbes de soufflantes (HDB 60-125 seulement)



INSTALLATION - FONCTIONNEMENT

MISE EN SERVICE

Avant la mise en service

IMPORTANT

1. Pour éviter une défaillance prématurée de l'échangeur de chaleur, observez les tubes de l'échangeur. Si le bas des tubes devient rouge avec la soufflante et les brûleurs en marche, vérifiez que la vitesse de la soufflante est correcte pour l'application. Voir les pages 9 et 10 pour les réglages de la soufflante.
2. La mise en service et les réglages doivent être confiés à un entrepreneur qualifié.

Bien que l'appareil ait été assemblé et testé à chaud en usine, il est recommandé d'effectuer les vérifications préopérationnelles suivantes pour vous assurer que tout fonctionne normalement après l'installation.

1. Isolez l'appareil de toute alimentation électrique en ouvrant le sectionneur. Vérifiez que les disjoncteurs ou les fusibles sont en place et d'un calibre approprié. Fermez tous les robinets d'arrêt de gaz.
2. Ouvrez le panneau d'accès aux commandes sur le côté de l'appareil.
3. Vérifiez que la tension du secteur correspond à la tension nominale de l'appareil inscrite sur la plaque signalétique. Assurez-vous que tous les câblages sont bien fixés et convenablement protégés. Suivez chaque circuit pour vous assurer qu'il est conforme au schéma de câblage.
4. Vérifiez que le système d'évacuation des gaz est correctement installé et n'est pas obstrué. Avant de commencer, suivez les étapes suivantes afin de vous assurer que le système d'évacuation est correctement dimensionné :
 - a. Obturez toutes les ouvertures inutiles du système d'évacuation.
 - b. Inspectez le système d'évacuation pour vérifier que les diamètres et la pente des tuyaux sont conformes aux normes ANSI Z223.1 (National Fuel Gas Code) ou au Code d'installation CSA B149.1, dernière édition, et aux présentes instructions. Déterminez s'il n'y a pas d'obstructions, de restrictions, de fuites, de corrosion ou d'autres défauts pouvant créer un risque.
 - c. Dans la mesure du possible, fermez toutes les portes et fenêtres du bâtiment, ainsi que les portes de communication entre les espaces dans lesquels se trouvent le ou les appareils reliés au système d'évacuation, et les autres zones du bâtiment. Mettez en marche au régime maximum les sècheuses de linge et tous les ventilateurs, comme les hottes aspirantes, les ventilateurs de salle de bains, etc. Ne faites pas fonctionner la ventilation d'été. Fermez les registres des foyers.
 - d. Suivez les instructions d'allumage. Faites fonctionner l'appareil à inspecter. Réglez le thermostat de manière que l'appareil chauffe en continu.
 - e. Après avoir déterminé que chaque appareil relié au système d'évacuation fonctionne correctement dans les conditions décrites ci-dessus, remettez les portes et les fenêtres, les ventilateurs, les registres de cheminée et tout autre appareil au gaz dans leurs états antérieurs.
 - f. Si les essais révèlent un mauvais fonctionnement du système d'évacuation, il faut prendre les mesures correctives nécessaires.
5. Vérifiez qu'il n'y a pas d'obstacles devant la prise d'air et la sortie d'air chaud.
6. Vérifiez que la soufflante est libre. L'hélice doit tourner librement à la main.
7. Vérifiez que tous les filtres sont en place et correctement installés en respectant la direction de l'air (s'il y a lieu).
8. Effectuez une inspection visuelle de l'appareil en vérifiant qu'il n'a pas été endommagé lors de l'installation.
9. Assurez-vous que les lames de déflecteurs horizontales sont ouvertes d'au moins 30° par rapport à la verticale.
10. Mettez l'appareil sous tension en refermant le sectionneur.
11. Vérifiez le thermostat, l'allumeur, le robinet de gaz, puis mettez la soufflante sous tension. Si le fonctionnement n'est pas normal, revérifiez avec le schéma de câblage.
12. Vérifiez que le moteur de la soufflante tourne dans le bon sens en comparant avec la flèche marquée sur le corps (s'il y a lieu). Vérifiez bien le sens de rotation, pas seulement le mouvement de l'air car, même à l'envers, l'hélice déplace de l'air.
13. Pour les appareils à circulation forcée, vérifiez la vitesse de la soufflante (tr/min). Voir les instructions de réglage de la soufflante pour toute modification.
14. Vérifiez la vitesse du moteur (tr/min).
15. Vérifiez la tension du moteur.
16. Mesurez le courant absorbé par le moteur et comparez-le à l'intensité nominale de la plaque signalétique.
17. Revérifiez la pression du gaz au raccord du robinet d'arrêt manuel. La pression d'entrée de l'appareil doit être de 1,5 kPa (6 po d'eau) pour le gaz naturel ou de 2,75 kPa (11 po d'eau) pour le propane. La pression maximale d'entrée est 3,5 kPa (14 po d'eau). Si la pression est supérieure, il faudra ajouter un détendeur en amont du régulateur combiné de l'appareil.
18. Ouvrez le robinet d'arrêt manuel que vous avez installé.
19. Tournez le robinet manuel du régulateur combiné à la position « ON ». Réglez le thermostat pour créer une demande de chauffage.
20. Assurez-vous que la vanne générale de gaz s'ouvre. Vérifiez la pression au collecteur de gaz (voir Réglage principal du gaz) avec la soufflante en marche.
21. Vérifiez que la séquence de fonctionnement des commandes de gaz est correcte (voir Séquence de fonctionnement des commandes). Si vous n'êtes pas familier avec ces commandes (régulateur de gaz combiné), lisez la documentation du fabricant du système de régulation, qui est livrée avec l'appareil.
22. Quand vous vous êtes assuré que l'appareil fonctionne normalement, retirez tous les fils volants utilisés pour les essais.
23. Refermez le panneau d'accès aux commandes.

Réglage du brûleur principal

Le régulateur de pression du gaz (à l'intérieur du régulateur combiné) a été réglé en usine pour des caractéristiques moyennes du gaz. Il est essentiel que l'alimentation du brûleur soit conforme aux conditions indiquées sur la plaque signalétique. Ces conditions doivent être vérifiées et les réglages nécessaires, effectués après l'installation de l'appareil. Une puissance calorifique excessive se traduira par une surchauffe permanente réduisant la durée de vie de l'appareil et entraînant des besoins d'entretien accrus. Les valeurs indiquées sur la plaque signalétique doivent impérativement être respectées.

La pression du collecteur de gaz doit être mesurée au raccord installé à côté du robinet d'arrêt.

Pour régler la pression du collecteur de gaz

1. Fermez le robinet d'arrêt de gaz posé lors de l'installation.
2. Retirez le bouchon du raccord 1/8po pour brancher un manomètre à tube en U dont les branches ont une hauteur d'au moins 30 cm ou 12 pouces.
3. Ouvrez le robinet d'arrêt de gaz.
4. Réglez le thermostat pour créer une forte demande de chauffage.
5. Consultez le tableau 15,1 pour déterminer la pression nominale au collecteur principal pour le type d'appareil. Réglez le ressort du régulateur principal pour qu'il délivre le gaz à la pression correcte (pour savoir comment régler, consultez le manuel du régulateur fourni avec l'appareil).
6. Après ce réglage, fermez le robinet d'arrêt manuel et revissez le bouchon du raccord de 1/8 po.
7. Après ce réglage, rouvrez le robinet d'arrêt manuel et vérifiez que le bouchon du raccord de mesure ne fuit pas (avec de l'eau savonneuse).

SÉQUENCE FONCTIONNELLE DE SYSTÈME DE COMMANDE

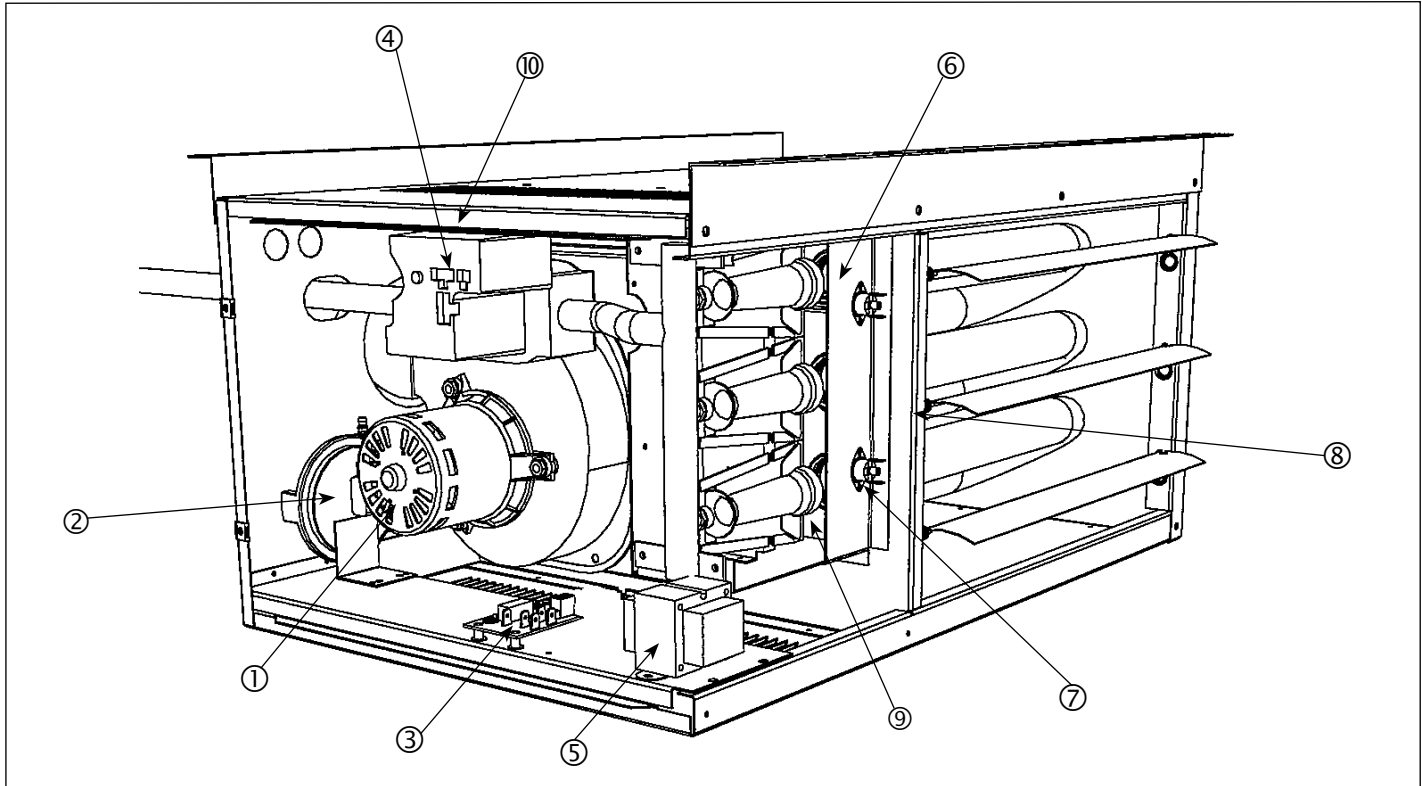
SÉQUENCE FONCTIONNELLE DE SYSTÈME DE COMMANDE

Lorsque le thermostat détecte une demande de chaleur, le moteur de l'extracteur démarre. L'appareil effectue un cycle de purge avant que l'allumeur direct par étincelle soit mis sous tension. En même temps, la soupape principale du régulateur combiné s'ouvre pour laisser le gaz passer vers les brûleurs. Si le moteur du ventilateur

ne tourne pas encore, il démarrera peu après. Si une flamme n'est pas détectée (pour une raison quelconque), la soupape principale se referme et l'appareil effectue un bref cycle de purge avant une nouvelle tentative d'allumage. Si une flamme n'est pas détectée après quatre tentatives, il s'écoulera au moins une heure avant une nouvelle tentative d'allumage.

Figure 18,1

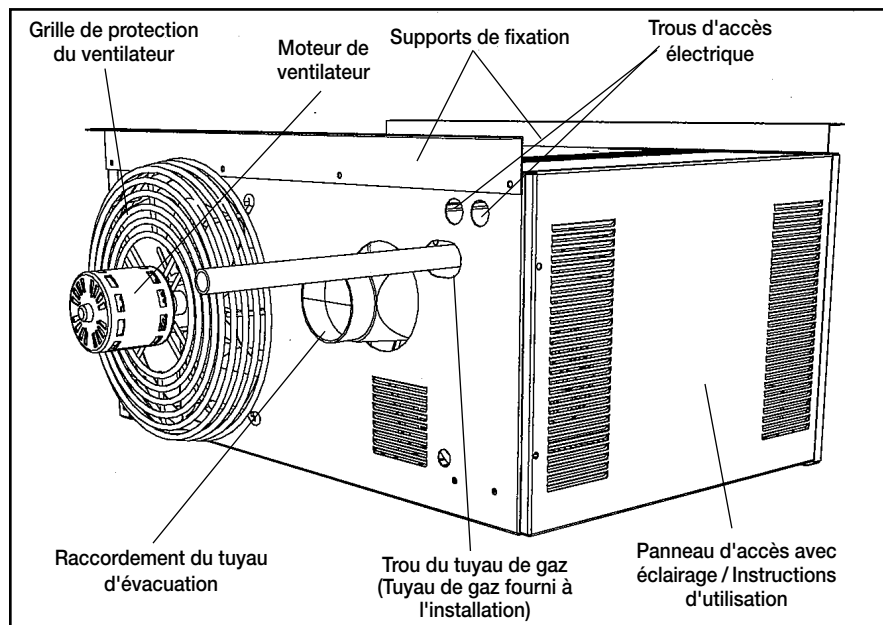
Principaux composants des circuits de gaz, électriques, de sécurité et autres



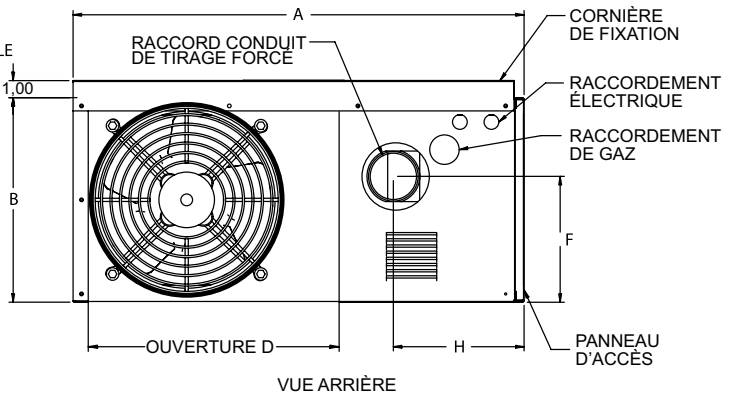
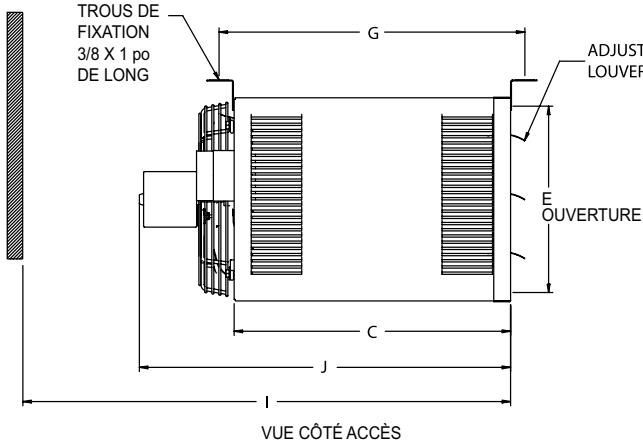
- | | | |
|---|----------------------------------|---|
| 1. Extracteur | 4. Régulateur de gaz combiné | 8. Limiteur à réarmement automatique (caché) |
| 2. Manocontact | 5. Transformateur de commande | 9. Allumeur à étincelles (caché) |
| 3. Carte contrôleur intégrée de l'allumeur à étincelles | 6. Détecteur de flamme (caché) | 10. Commande de réarmement manuel (caché, hélice 100-125) |
| | 7. Détecteur de retour de flamme | |

Figure 18,2

Vue arrière de l'appareil de chauffage



DIMENSIONS ET PERFORMANCES GÉNÉRALES - MODÈLE HD



Performances

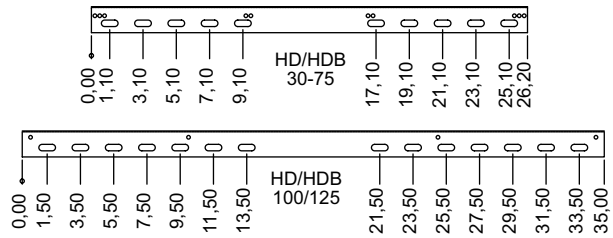
Modèles		HD30	HD45	HD60	HD75	HD100	HD125
Puissance calorifique Btu/h		30 000	45 000	60 000	75 000	100 000	125 000
Chaleur produite Btu/h		24 000	36 000	48 000	60 000	80 000	100 000
Débit d'air - entrée (CFM)		505	720	990	1 160	1 490	1 980
Vitesse de l'air - sortie		523	749	653	769	565	747
Élévation temp. air (°F)		44	46	45	48	50	47
Hauteur de montage (pi max)		10	10	12	14	12	16
Portée de chauffage (pi)		25	27	36	38	42	56
Caractéristiques du moteur	Puissance	1/15	1/15	1/12	1/12	1/12	1/8
	tr/min	1 550	1 550	1 625	1 625	1 050	1 550
	Type	E.C.C.	E.C.C.	C.A.P.	C.A.P.	E.C.C.	C.A.P.
	Ampères	2,4	2,4	1,2	1,2	2,7	2,2
Consommation électrique totale		3,7	3,7	2,5	2,5	4,7	4,2
Dimension du conduit de raccordement (po)		3	3	3	3	4	4

Dimensions (pouces)

Modèles	HD30	HD45	HD60	HD75	HD100/125
A	26,8	26,8	26,8	26,8	35,5
B	12,2	12,2	18,0	18,0	20,5
C	16,5	16,5	16,5	16,5	22,0
D	14,9	14,9	14,9	14,9	22,5
E	10,1	10,1	15,9	15,9	18,4
F	7,5	7,5	10,7	10,7	14,0
G	18,5	18,5	18,5	18,5	24,0
H	7,6	7,6	7,8	7,8	8,4
Raccord de gaz	1/2	1/2	1/2	1/2	1/2
I	34,5	34,5	34,5	34,5	43,0
J	22	22	25	25	31,0
Diamètre du ventilateur	10	10	14	14	18,0
Poids approx. d'expédition (lb)	55	60	80	85	125

Montage

Supports de montage en cornière 25 mm (1 po), percées pour des solives espacées de 40 ou 61 cm (16 ou 24 po).



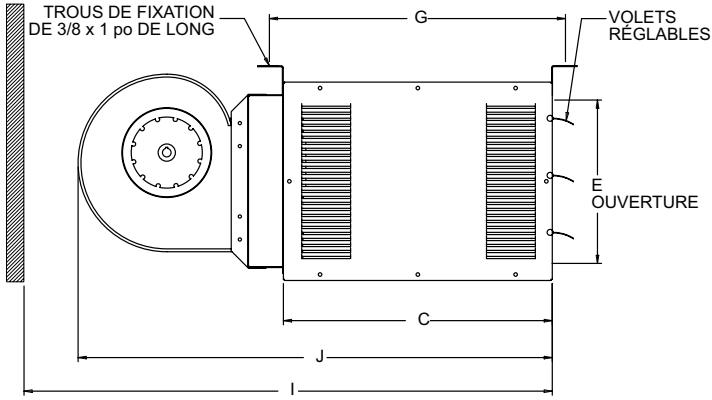
Dégagements

Face du boîtier	Distance à un matériau combustible	Dégagement pour l'entretien recommandé
Dessus et dessous	25 mm (1po)	25 mm (1po)
Côté porte d'accès	46 cm (18 po)	46 cm (18 po)
Côté opposé à la porte	25 mm (1po)	25 mm (1po)
Arrière	46 cm (18 po)	46 cm (18 po)
Conduit de raccordement	10 cm (4 po)	10 cm (4 po)

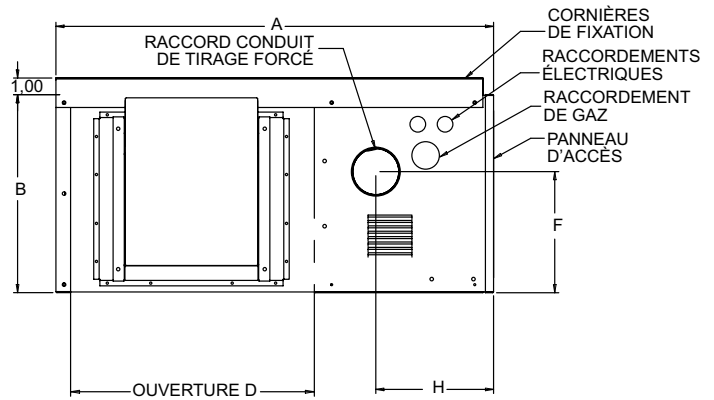
Options de commande

Description du contrôleur	Code de contrôleur	Tension service	Tension thermostat	Type de gaz	Modèle (capacité)
Allumeur direct à étincelles, un seul étage, arrêt 100 %, allumage continu - Utilise un régulateur de gaz combiné à un seul étage avec contrôleur d'allumage. Le gaz est enflammé par un allumeur direct à étincelles lorsqu'il y a demande de chaleur.	11	115V	24 V	Naturel	30-125
	21	115V	24V	Propane	30-125
Allumeur direct à étincelles, deux étages, arrêt 100 %, allumage continu - Utilise un régulateur de gaz à deux étages avec contrôleur d'allumage intégré. Le taux d'allumage est de 100 % et de 50 % du plein régime nominal. Le gaz est enflammé par un allumeur direct à étincelles lorsqu'il y a demande de chaleur.	12	115V	24V	Naturel	75-125
	22	115V	24V	Propane	75-125

DIMENSIONS ET PERFORMANCES GÉNÉRALES - MODÈLE HDB



VUE CÔTÉ ACCÈS



VUE ARRIÈRE

Performances

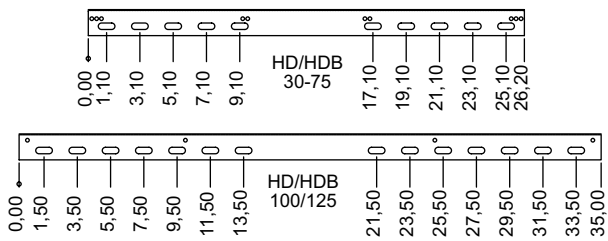
Modèles	HDB60	HDB75	HDB100	HDB125
Puissance calorifique Btu/h	60 000	75 000	100 000	125 000
Chaleur produite Btu/h	48 000	60 000	80 000	100 000
Registre du débit d'air en pi ³ /min	635-1100	795-1390	1060-1850	1240-2050
Pression statique (max)	0,7	0,7	0,8	0,8
Élévation temp. air (°F)	40-70	40-70	40-70	45-75
Vitesses du moteur	3	3	3	3
Caractéristiques du moteur	Puissance	1/4	1/3	1/2
	tr/min	1 100 maxi	1 100 maxi	Max 1 100
	Type	C.A.P.	C.A.P.	C.A.P.
	Ampères	5,4	7,1	9,5
Consommation électrique totale	6,4	8,1	11,5	11,5
Dimension du conduit de raccordement (po)	3	3	4	4

Dimensions (pouces)

Modèles	HDB 60	HDB 75	HDB100/125
A	26,8	26,8	35,5
B	18,0	18,0	20,5
C	16,5	16,5	22,0
D	14,9	14,9	22,5
E	15,9	15,9	18,4
F	10,7	10,7	14,0
G	18,5	18,5	24,0
H	7,8	7,8	8,4
Raccord de gaz	1/2	1/2	1/2
I	35,5	35,5	44,5
J	32,5	32,5	41,5
Soufflante	9 - 7	9 - 7	10 - 10
Poids d'expédition approximatif (lb)	92	97	151

Montage

Supports de montage en cornière 25 mm (1 po), percées pour des solives espacées de 40 ou 61 cm (16 ou 24 po).



Dégagements

Face du boîtier	Distance à un matériau combustible	Dégagement pour l'entretien recommandé
Dessus et dessous	25 mm (1 po)	25 mm (1 po)
Côté porte d'accès	46 cm (18 po)	46 cm (18 po)
Côté opposé à la porte	25 mm (1 po)	25 mm (1 po)
Arrière	46 cm (18 po)	46 cm (18 po)
Conduit de raccordement	10 cm (4 po)	10 cm (4 po)

Options de commande

Description du contrôleur	Code de contrôleur	Tension service	Tension thermostat	Type de gaz	Modèle (capacité)
Allumeur direct à étincelles, un seul étage, arrêt 100 %, allumage continu - Utilise un régulateur de gaz combiné à un seul étage avec contrôleur d'allumage. Le gaz est enflammé par un allumeur direct à étincelles lorsqu'il y a demande de chaleur.	11	115V	24V	Naturel	30-125
	21	115V	24V	Propane	30-125
Allumeur direct à étincelles, deux étages, arrêt 100 %, allumage continu - Utilise un régulateur de gaz à deux étages avec contrôleur d'allumage intégré. Le taux d'allumage est de 100 % et de 50 % du plein régime nominal. Le gaz est enflammé par un allumeur direct à étincelles lorsqu'il y a demande de chaleur.	12	115V	24V	Naturel	75-125
	22	115V	24V	Propane	75-125

ENTRETIEN - MAINTENANCE - DÉPANNAGE



AVERTISSEMENT

Pour l'entretien et les réparations de cet appareil, n'utilisez que des pièces d'origine approuvées. Pour la liste complète des pièces de rechange, adressez-vous au fabricant. Le numéro de modèle complet, le numéro de série et l'adresse du fabricant figurent sur la plaque signalétique fixée à l'appareil. Toute substitution de pièce ou de commande non approuvée par le fabricant sera aux risques du propriétaire.



ATTENTION

1. L'entretien et les réparations doivent être confiés à un entrepreneur qualifié.
2. Ne tentez pas de réutiliser un contrôleur mécanique ou électronique qui a été atteint par l'eau. Remplacez tout contrôleur défectueux.



IMPORTANT

Pour essayer la plupart des Solutions suggérées dans le tableau de dépannage, 21,1, reportez-vous aux sections correspondantes du manuel.

Maintenance générale

L'appareil et le système d'évacuation des gaz doivent être vérifiés une fois par an par un technicien d'entretien qualifié.

Toutes les opérations d'installation et d'entretien doivent être confiées à une entreprise qualifiée.

Avant toute intervention d'entretien, ASSUREZ-VOUS DE FERMER LE ROBINET D'ARRÊT MANUEL, SITUÉ EN AMONT DU RÉGULATEUR DE GAZ COMBINÉ, ET COUPEZ L'ALIMENTATION ÉLECTRIQUE DE L'APPAREIL.

1. Faites un entretien annuel des composants de transport de l'air.
 - a. Vérifiez que l'hélice du ventilateur est bien fixée sur l'arbre du moteur et que ses pales ne sont pas endommagées.
2. L'appareil doit être nettoyé de toute accumulation de poussière, saleté, graisse et matières étrangères, avec une attention particulière portée aux éléments suivants :
 - a. Entrées d'air de combustion.
 - b. Brûleurs et leurs orifices calibrés. Fermez le gaz en amont du régulateur combiné et coupez l'alimentation électrique de l'appareil. Retirez le panneau d'accès, ouvrez le raccord union de la conduite de gaz et déconnectez les fils de l'allumeur et du détecteur. Enlevez les vis qui retiennent le plateau des brûleurs sur la plaque de tête et sortez le plateau des brûleurs et l'ensemble collecteur. Nettoyez soigneusement les brûleurs avec une brosse métallique ou un moyen similaire.

Remplacez tout brûleur ou orifice calibré endommagé ou présentant des signes de détérioration. Réinstallez l'ensemble brûleurs sur la plaque de tête en vous assurant de bien serrer les vis, les raccords et les connexions électriques.

ATTENTION – Manipulez l'allumeur et le détecteur de flamme avec précaution.

 1. Inspectez le détecteur de flamme et l'allumeur en recherchant les détériorations et les fissures.
 2. Vérifiez que les brûleurs se touchent aux points de transmission. Ces points assurent la transmission de la flamme d'un brûleur à l'autre.
 - c. Nettoyez l'extérieur des tubes de l'échangeur.
 - d. Pales du ventilateur.
3. Assurez-vous qu'il n'y a pas de connexions desserrées.
4. Commandes – Les robinets et les tuyauteries de gaz doivent être vérifiés chaque année afin de s'assurer qu'ils sont propres et étanches. Les commandes de gaz doivent être vérifiées afin de s'assurer que l'appareil fonctionne bien. Lisez les instructions d'entretien séparées, fournies avec l'appareil.
5. Soufflantes et moteurs d'extraction – Les roulements des moteurs sont lubrifiés à vie et ne nécessitent aucun graissage supplémentaire. Si l'atmosphère est poussiéreuse, il faudra peut-être nettoyer l'intérieur des moteurs et les carters de soufflante en dirigeant un jet d'air comprimé dans les passages de refroidissement du moteur.
6. Les filtres à toile métallique d'entrée et de sortie doivent être périodiquement nettoyés.

Tableau 21,1
Dépannage

SYMPTÔMES	CAUSE POSSIBLE	SOLUTION POSSIBLE
L'appareil ne fait rien	<ol style="list-style-type: none"> 1. Pas d'alimentation électrique 2. Pas de courant 24 V au thermostat 3. Thermostat défectueux 4. La diode clignote 5. Contrôleur défectueux 	<ol style="list-style-type: none"> 1. Mettez l'alimentation principale sous tension 2. a. Vérifiez le transformateur de commande b. Si le transfo est grillé - vérifiez le calibre et la longueur des fils du thermostat 3. a. Vérifiez les connexions des bornes R et W seulement b. Vérifiez / remplacez le thermostat 4. Vérifiez le code de clignotement de la diode 5. Remplacez le contrôleur
DEL éteinte ou clignotante.	<ol style="list-style-type: none"> 1. Causes multiples 	<ol style="list-style-type: none"> 1. Code de clignotement DEL de la carte contrôleur varie avec le type de contrôleur. Un décalque est installé sur l'appareil avec la description des codes applicables pour l'appareil de chauffage. Pour plus de détails, consultez la fiche technique de la carte contrôleur, qui est fournie avec ce manuel.
L'appareil démarre mais le gaz ne s'allume pas	<ol style="list-style-type: none"> 1. Gaz principal fermé 2. Poche d'air dans le tuyau 3. Pression conduite principale ou collecteur 4. Vérifiez le robinet d'arrêt manuel. 	<ol style="list-style-type: none"> 1. Ouvrez le robinet d'arrêt manuel. 2. Purgez le tuyau de gaz. 3. Réglez les pressions de gaz selon les instructions du manuel 4. Ouvrez le robinet d'arrêt de gaz.
Le cycle d'allumage se déroule normalement mais les brûleurs s'éteignent en moins de 10 secondes	<ol style="list-style-type: none"> 1. Branchement du secteur électrique inversé 2. L'appareil n'est pas à la terre 3. Flamme non détectée 	<ol style="list-style-type: none"> 1. Fil noir = PHASE, fil blanc = NEUTRE, fil vert = TERRE 2. Rectifiez la mise à la terre et mesurez sa résistance. 3. Vérifiez la sonde et les connexions du détecteur
Ventilateur de circulation d'air défectueux	<ol style="list-style-type: none"> 1. Connexions mal serrées 2. Carte contrôleur défectueuse 3. Moteur soufflante défectueux 	<ol style="list-style-type: none"> 1. Vérifiez toutes les connexions 2. Vérifiez la feuille technique de la carte contrôleur et son fonctionnement 3. Vérifiez le moteur soufflante

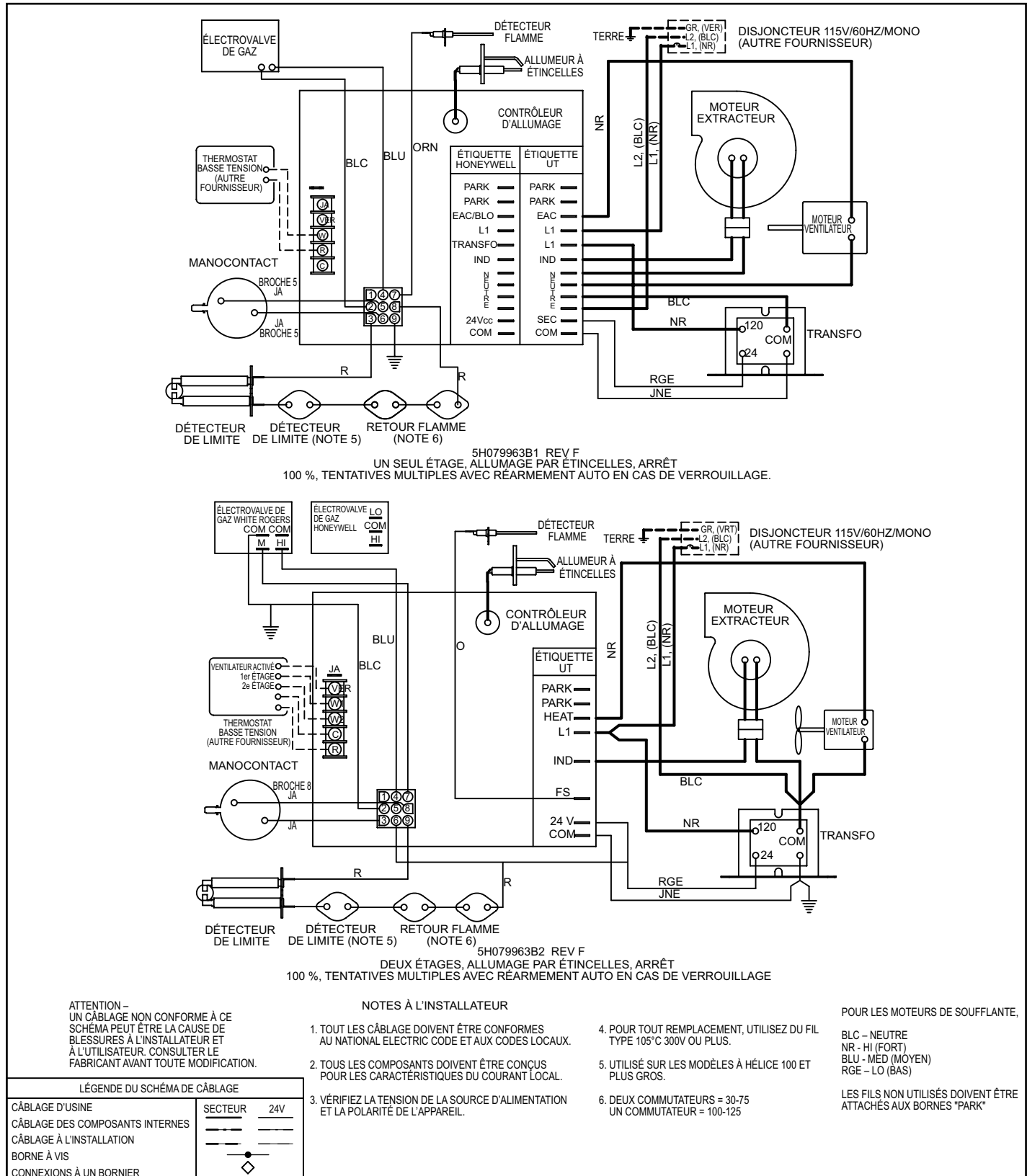
CÂBLAGE DE L'APPAREIL

Choix du schéma de câblage

Le câblage interne ou posé en usine et le câblage dépend du modèle de contrôleur installé et il est important de choisir les schémas qui correspondent aux types de régulateur de gaz et

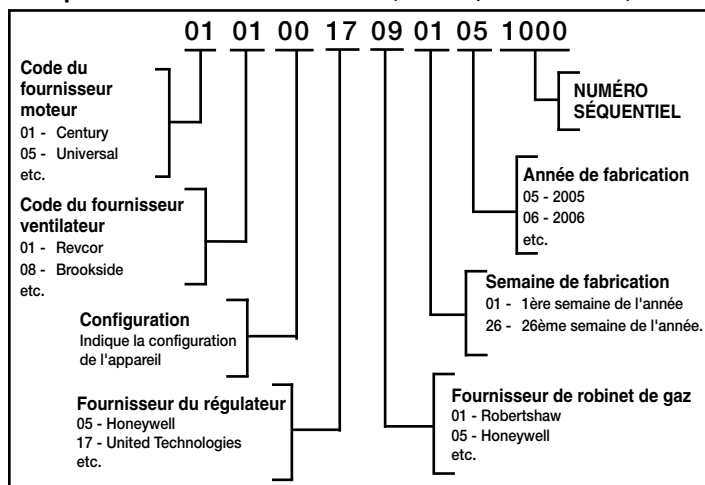
d'allumeur de l'appareil. Le schéma suivant est celui d'un appareil équipé d'un régulateur à un ou à deux étages, avec allumage direct à étincelles.

Figure 22,1 - Schéma de câblage de l'appareil (un ou deux étages, allumage direct à étincelles)

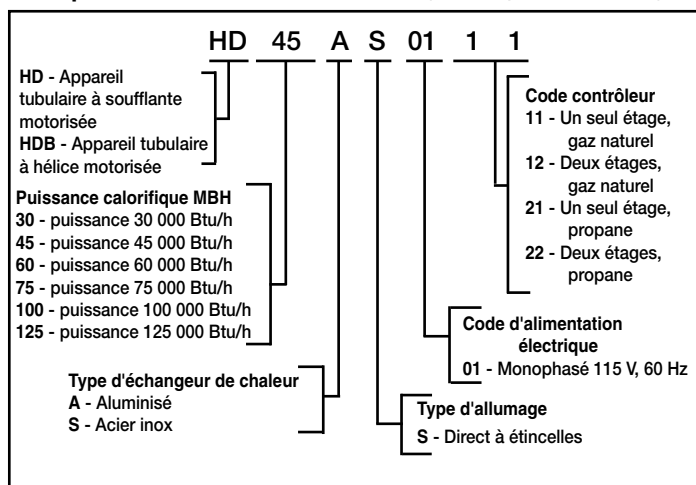


NUMÉRO DE SÉRIE ET DE MODÈLE ET PIÈCES DE RECHANGE

Composition du numéro de série (retirez le panneau d'accès)



Composition du numéro de modèle (ouvrir le panneau d'accès)



Pièces de rechange

Pour commander des pièces, adressez-vous à votre représentant local. Vous aurez besoin du numéro de modèle complet et du numéro de série. Si vous avez besoin d'aide pour localiser votre représentant, appelez au numéro qui figure sur la dernière page du manuel.

Figure 22,1 Pièces de rechange communes (Cette liste est susceptible de changer. Consultez la liste des pièces montées sur l'appareil qui est à jour.)

Modèle (capacité)	Extracteur	Détecteur de limite	Détecteur de retour de flamme	Trans-formateur	Manocontact	Allumeur	Commande d'allumage (1 étage)	Régulateur de gaz combiné (1 étage)		Commande d'allumage (2 étages)	Régulateur de gaz combiné (2 étage)	
								Code 11	Code 21		Code 12	Code 22
HD 30	5H75038	5H75769B1	5H75002-3	5H75029	5H75030-3	5H79636	5H79749	5H79751B	5H79869B	S/O	S/O	S/O
HD 45	5H75038	5H75769B1	5H75002-3	5H75029	5H75030-3	5H79636	5H79749	5H79751B	5H79869B	S/O	S/O	S/O
HD 60	5H75038	5H75769B2	5H75002-3	5H75029	5H75030-3	5H79636	5H79749	5H79751B	5H79869B	S/O	S/O	S/O
HDB 60	5H75038	5H75769B4	5H75002-3	5H75029	5H75030-3	5H79636	5H79749	5H79751B	5H79869B	S/O	S/O	S/O
HD 75	5H75038	5H75769B2	5H75002-3	5H75029	5H75030-4	5H79636	5H79749	5H79751B	5H79869B	5H79804B	5H79748B	5H79871B
HDB 75	5H75038	5H75769B2	5H75002-3	5H75029	5H75030-4	5H79636	5H79749	5H79751B	5H79869B	5H79804B	5H79748B	5H79871B
HD 100	5H79795	5H75769B2	5H75002-4	5H75029	5H79441-9	5H79636	5H79749	5H79751B	5H79869B	5H79804B	5H79748B	5H79871B
HDB 100	5H79795	5H75769B3	5H75002-4	5H75029	5H79441-9	5H79636	5H79749	5H79751B	5H79869B	5H79804B	5H79748B	5H79871B
HD 125	5H79795	5H75769B1	5H75002-4	5H75029	5H79441-9	5H79636	5H79749	5H79751B	5H79869B	5H79804B	5H79748B	5H79871B
HDB 125	5H79795	5H75769B2	5H75002-4	5H75029	5H79441-9	5H79636	5H79749	5H79751B	5H79869B	5H79804B	5H79748B	5H79871B

MODINE MANUFACTURING COMPANY GARANTIE LIMITÉE (Installations résidentielles seulement)

CE QUI EST COUVERT PAR LA GARANTIE

La présente garantie couvre tout défaut de matière et de fabrication de votre appareil de chauffage Modine qu'il soit utilisé dans votre domicile ou dans votre garage.

CE QUI N'EST PAS COUVERT PAR LA GARANTIE

L'appareil lui-même ou ses composants :

- qui ont été installés ou démontés de manière incorrecte.
- qui ont été endommagés par toute cause autre que le fonctionnement normal.
- qui n'ont pas fait l'objet d'un entretien approprié.
- qui ont subi un échauffement anormal à cause de l'utilisation d'un combustible gazeux ayant un pouvoir calorifique de plus de 5 % de la valeur inscrite sur la plaque signalétique de l'appareil.
- qui ont été exposés à des produits chimiques corrosifs ou à des émanations corrosives (par exemple, à proximité d'une piscine), ou à des atmosphères potentiellement explosives ou inflammables, chargées de poussière de céréales, de sciure ou d'autres particules combustibles en suspension dans l'air.
- dont la défectuosité est due à un usage abusif ou incorrect, à la négligence, à l'insouciance ou à un accident.
- dont le numéro de série a été altéré, rendu illisible ou enlevé.
- qui sont utilisés dans un espace confiné, avec une quantité insuffisante d'air de combustion, comme cela peut être le cas dans les constructions anormalement étanches à l'air.

QUI EST COUVERT PAR LA GARANTIE ?

Cette garantie couvre l'acheteur initial de l'appareil et toute personne qui en devient propriétaire au cours de la période de garantie.

DURÉE DE LA PÉRIODE DE GARANTIE

- L'échangeur de chaleur est garanti pendant une période de dix ans à compter de la date d'achat de l'appareil.
- Tous les autres éléments de l'appareil sont garantis pendant une période de deux ans à compter de la date d'achat.

MESURES PRISES PAR MODINE POUR CORRIGER TOUTE DÉFECTUOSITÉ SOUS GARANTIE ET COMMENT OBTENIR UN SERVICE DE GARANTIE

En cas de défaillance sous garantie, Modine fournira les pièces de rechange nécessaires à la réparation à son prix coûtant. Pour obtenir des réparations sous garantie ou le remplacement des pièces défectueuses, vous devez, au cours de la période de garantie, vous adresser à l'établissement qui vous a vendu l'appareil. Le vendeur ou l'entreprise qui assure l'entretien pour son compte, déterminera si l'appareil ou certains de ses éléments sont effectivement défectueux et se procurera ou réparera les pièces nécessaires avant de les réinstaller sans frais pour vous. S'il est établi que l'appareil ou ses éléments n'étaient pas défectueux, vous pourrez avoir à payer les pièces de rechange remplacées.

ATTENTION - Ne tentez pas de réparer vous-même l'appareil ni de démonter des pièces quelconques. Ces travaux doivent être confiés à une entreprise qualifiée pour l'entretien de ces appareils.

Si vous avez des questions à propos de cette garantie, contactez votre vendeur ou un représentant des produits de chauffage Modine au 1-800-828-4328.

CE QUE MODINE NE FERA PAS

Modine ne remboursera pas la main-d'oeuvre et les frais de service encourus par le client pour des réparations ou des remplacements de pièces sous garantie.

NON-RESPONSABILITÉ À L'ÉGARD DE DOMMAGES INDIRECTS ET CONSÉCUTIFS

Cette garantie ne couvre pas les dommages indirects comme l'utilisation d'équipements de chauffage de remplacement ou les autres dépenses découlant de l'impossibilité d'utiliser l'appareil de chauffage. La garantie ne couvre pas non plus les dommages consécutifs, comme les frais de réparation ou de remplacement de bien qui ont pu être endommagés au cours de la période durant laquelle l'appareil de chauffage ne fonctionnait pas normalement.

APPLICATION DES LOIS PROVINCIALES EN MATIÈRE DE GARANTIE

Certaines provinces et certains états n'admettent pas l'exclusion ou la limitation des dommages indirects ou consécutifs, de sorte que les exclusions ou limitations énoncées ci-dessus peuvent ne pas être applicables à votre situation.

Cette garantie vous confère certains droits juridiques spécifiques, mais vous pouvez avoir d'autres droits relevant de la législation locale.

GARANTIE COMMERCIALE

Le Vendeur garantit ses produits contre tout défaut de matières ou de fabrication, SAUF si la défaillance est attribuable à une substitution de matières en situation d'urgence causée par la non-disponibilité des matières normalement utilisées. La présente garantie couvre le remplacement de toutes les pièces fournies par l'usine du Vendeur, mais ne couvre pas la main-d'oeuvre de toute nature ni les matières qui ne sont pas fournies par le Vendeur, ni les charges afférents à la main-d'oeuvre ou aux matières non fournies par le Vendeur, que cette main-d'oeuvre ou ces matières, et les charges qui s'y rattachent, correspondent à des remplacements de pièces, à des réglages, à des réparations, ou à tout autre travail effectué. Cette garantie n'est pas applicable à tout équipement réparé ou modifié en dehors des établissements du Vendeur d'une manière qui, selon le jugement du Vendeur, affecte sa stabilité, ou qui a été utilisé dans des conditions anormales, de manière négligente ou au-delà des conditions de service pour lesquelles l'équipement en cause a été conçu. Cette garantie ne couvre pas non plus les effets des propriétés physiques ou chimiques de l'eau, de la vapeur ou des autres liquides ou gaz utilisés avec l'équipement.

L'ACHETEUR RECONNAÎT QUE LA GARANTIE DU VENDEUR À L'ÉGARD DES DÉFAUTS DE FABRICATION OU DE MATIÈRES, AVEC LES LIMITATIONS ÉNONCÉES ICI, TIENDE LIEU ET EXCLUT TOUTE AUTRE FORME DE GARANTIE, TANT EXPRESSE QU'IMPLICITE, QU'ELLE DÉCOULE DE LA LOI, DE RAPPORTS D'AFFAIRES, DES PRATIQUES COMMERCIALES USUELLES OU AUTRES, ET QU'IL NE BÉNÉFICIE PAS D'AUTRES GARANTIES, NOTAMMENT DE QUALITÉ MARCHANDE OU D'APTITUDE À UN USAGE PARTICULIER, AU-DELÀ DE LA DESCRIPTION DU PRODUIT CONFIRMÉE PAR L'ACHETEUR ET LE VENDEUR À LA DATE DE L'ACCORD FINAL.

Pour les appareils fonctionnant au gaz ou au mazout, cette garantie est annulée si le pouvoir calorifique du combustible utilisé dépasse de plus de 5 % la valeur nominale inscrite sur la plaque signalétique du produit, ou si le produit a, de l'avis du Vendeur, été installé dans une atmosphère corrosive, exposé à l'action de liquides ou de gaz corrosifs, ou a été soumis à une utilisation anormale ou négligente, à un accident, à un choc thermique excessif, à une humidité excessive, à des dommages physiques, à des chocs mécaniques, à l'abrasion, à des modifications non autorisées ou à un fonctionnement non conforme aux instructions imprimées du Vendeur, ou encore dont le numéro de série a été altéré, rendu illisible ou enlevé.

Echangeurs de chaleur

Pour les appareils de chauffage au gaz à combustion non séparée offerts par le Vendeur

LE RECOURS DE L'ACHETEUR EN CAS DE DÉFAILLANCE SOUS GARANTIE, À L'EXCLUSION DE TOUS LES REMÈDES PRÉVUS PAR LA LOI, EST LIMITÉ À LA RÉPARATION OU AU REMPLACEMENT DANS UN ÉTABLISSEMENT DU VENDEUR DE TOUT ÉCHANGEUR DE CHALEUR QUI, DURANT UNE PÉRIODE DE DIX ANS À COMPTER DE LA PREMIÈRE UTILISATION BÉNÉFICIAIRE PAR L'ACHETEUR OU TOUT AUTRE UTILISATEUR, DURANT UNE PÉRIODE DE DIX ANS À COMPTER DE LA DATE DE REVENTE PAR L'ACHETEUR DANS UN ÉTAT NON MODIFIÉ QUELCONQUE, OU DURANT CENT-VINGT-SIX MOIS À COMPTER DE LA DATE D'EXPÉDITION PAR LE VENDEUR, À LA PREMIÈRE DE CES ÉCHÉANCES, SERA RETOURNÉ EN PORT PAYÉ AU VENDEUR, DANS LA MESURE OÙ L'INSPECTION FAITE PAR LE VENDEUR PERMET DE CONCLURE QUE LEDIT ÉCHANGEUR EST DÉFECTUEUX, SAUF SI LE PRODUIT EST DESTINÉ À ÊTRE INCORPORÉ PAR L'ACHETEUR DANS UN ÉQUIPEMENT FABRIQUÉ PAR LUI, AUQUEL CAS, LA DURÉE DE L'OBLIGATION DU VENDEUR, AVEC LES LIMITATIONS ÉNONCÉES CI-DESSUS, SERA LIMITÉE À UN AN À COMPTER DE LA DATE D'EXPÉDITION PAR LE VENDEUR. POUR LES APPAREILS DE CHAUFFAGE AU GAZ INSTALLÉS DANS UN ENVIRONNEMENT À HAUT TAUX D'HUMIDITÉ ET UTILISANT DES ÉCHANGEURS DE CHALEUR EN ACIER INOXYDABLE, LA DURÉE DE L'OBLIGATION DU VENDEUR, AVEC LES LIMITATIONS ÉNONCÉES CI-DESSUS, SERA LIMITÉE À DIX ANS À COMPTER DE LA DATE D'EXPÉDITION PAR LE VENDEUR.

Pour les appareils infrarouges à faible intensité chauffés au gaz offerts par le Vendeur

LE RECOURS DE L'ACHETEUR EN CAS DE DÉFAILLANCE SOUS GARANTIE, À L'EXCLUSION DE TOUS LES REMÈDES PRÉVUS PAR LA LOI, EST LIMITÉ À LA RÉPARATION OU AU REMPLACEMENT DANS UN ÉTABLISSEMENT DU VENDEUR DE TOUT ÉCHANGEUR DE CHALEUR QUI, DURANT UNE PÉRIODE DE CINQ (5) ANS À COMPTER DE LA PREMIÈRE UTILISATION BÉNÉFICIAIRE PAR L'ACHETEUR INITIAL OU TOUT AUTRE UTILISATEUR, DURANT UNE PÉRIODE DE CINQ ANS À COMPTER DE LA DATE DE REVENTE PAR L'ACHETEUR OU TOUT AUTRE UTILISATEUR, DURANT UNE PÉRIODE DE CINQ ANS À COMPTER DE LA DATE DE REVENTE PAR L'ACHETEUR DANS UN ÉTAT NON MODIFIÉ QUELCONQUE, OU DURANT SOIXANTE-SIX MOIS À COMPTER DE LA DATE D'EXPÉDITION PAR LE VENDEUR, À LA PREMIÈRE DE CES ÉCHÉANCES, SERA RETOURNÉ EN PORT PAYÉ AU VENDEUR, DANS LA MESURE OÙ L'INSPECTION FAITE PAR LE VENDEUR PERMET DE CONCLURE QUE LEDIT ÉCHANGEUR EST DÉFECTUEUX, SAUF SI LE PRODUIT EST DESTINÉ À ÊTRE INCORPORÉ PAR L'ACHETEUR DANS UN ÉQUIPEMENT FABRIQUÉ PAR LUI, AUQUEL CAS, LA DURÉE DE L'OBLIGATION DU VENDEUR, AVEC LES LIMITATIONS ÉNONCÉES CI-DESSUS, SERA LIMITÉE À UN AN À COMPTER DE LA DATE D'EXPÉDITION PAR LE VENDEUR.

Echangeurs de chaleur (condenseurs) de tous les produits offerts par le Vendeur, sauf les appareils de chauffage et les appareils infrarouges chauffés au gaz, à combustion non séparée, tous les brûleurs sauf ceux des appareils infrarouges, et les pièces en tôle utilisées dans tous les produits offerts par le Vendeur

LE RECOURS DE L'ACHETEUR EN CAS DE DÉFAILLANCE SOUS GARANTIE, À L'EXCLUSION DE TOUS LES REMÈDES PRÉVUS PAR LA LOI, EST LIMITÉ À LA RÉPARATION OU AU REMPLACEMENT DANS UN ÉTABLISSEMENT DU VENDEUR DE TOUT ÉCHANGEUR DE CHALEUR (CONDENSEUR) OU BRÛLEUR QUI, DURANT UNE PÉRIODE D'UN AN À COMPTER DE LA DATE DE LA PREMIÈRE UTILISATION BÉNÉFICIAIRE PAR L'ACHETEUR OU TOUT AUTRE UTILISATEUR, DURANT UNE

PÉRIODE D'UN AN À COMPTER DE LA DATE DE REVENTE PAR L'ACHETEUR DANS UN ÉTAT NON MODIFIÉ QUELCONQUE, OU DE DIX-HUIT MOIS À COMPTER DE LA DATE D'EXPÉDITION PAR LE VENDEUR, À LA PREMIÈRE DE CES ÉCHÉANCES, SERA RETOURNÉ EN PORT PAYÉ AU VENDEUR, DANS LA MESURE OÙ L'INSPECTION FAITE PAR LE VENDEUR PERMET DE CONCLURE QUE LEDIT ÉCHANGEUR EST DÉFECTUEUX, SAUF SI LE PRODUIT EST DESTINÉ À ÊTRE INCORPORÉ PAR L'ACHETEUR DANS UN ÉQUIPEMENT FABRIQUÉ PAR LUI, AUQUEL CAS, LA DURÉE DE L'OBLIGATION DU VENDEUR, AVEC LES LIMITATIONS ÉNONCÉES CI-DESSUS, SERA LIMITÉE À UN AN À COMPTER DE LA DATE D'EXPÉDITION PAR LE VENDEUR.

Brûleurs

Pour les appareils infrarouges de faible intensité chauffés au gaz offerts par le Vendeur

LE RECOURS DE L'ACHETEUR EN CAS DE DÉFAILLANCE SOUS GARANTIE, À L'EXCLUSION DE TOUS LES REMÈDES PRÉVUS PAR LA LOI, EST LIMITÉ À LA RÉPARATION OU AU REMPLACEMENT DANS UN ÉTABLISSEMENT DU VENDEUR DE TOUT BRÛLEUR QUI, DURANT UNE PÉRIODE DE DEUX ANS À COMPTER DE LA PREMIÈRE UTILISATION BÉNÉFICIAIRE PAR L'ACHETEUR INITIAL OU TOUT AUTRE UTILISATEUR, DURANT UNE PÉRIODE DE DEUX ANS À COMPTER DE LA DATE DE REVENTE PAR L'ACHETEUR DANS UN ÉTAT NON MODIFIÉ QUELCONQUE, OU DE TRENTE MOIS À COMPTER DE LA DATE D'EXPÉDITION PAR LE VENDEUR, À LA PREMIÈRE DE CES ÉCHÉANCES, SERA RETOURNÉ EN PORT PAYÉ AU VENDEUR, DANS LA MESURE OÙ L'INSPECTION FAITE PAR LE VENDEUR PERMET DE CONCLURE QUE LEDIT PRODUIT EST DÉFECTUEUX, SAUF SI LE PRODUIT EST DESTINÉ À ÊTRE INCORPORÉ PAR L'ACHETEUR DANS UN ÉQUIPEMENT FABRIQUÉ PAR LUI, AUQUEL CAS, LA DURÉE DE L'OBLIGATION DU VENDEUR, AVEC LES LIMITATIONS ÉNONCÉES CI-DESSUS, SERA LIMITÉE À UN AN À COMPTER DE LA DATE D'EXPÉDITION PAR LE VENDEUR.

Pour les appareils à haute intensité chauffés au gaz offerts par le Vendeur

LE RECOURS DE L'ACHETEUR EN CAS DE DÉFAILLANCE SOUS GARANTIE, À L'EXCLUSION DE TOUS LES REMÈDES PRÉVUS PAR LA LOI, EST LIMITÉ À LA RÉPARATION OU AU REMPLACEMENT DANS UN ÉTABLISSEMENT DU VENDEUR DE TOUT BRÛLEUR QUI, DURANT UNE PÉRIODE DE DIX ANS À COMPTER DE LA PREMIÈRE UTILISATION BÉNÉFICIAIRE PAR L'ACHETEUR INITIAL OU TOUT AUTRE UTILISATEUR, DURANT UNE PÉRIODE DE DIX ANS À COMPTER DE LA DATE DE REVENTE PAR L'ACHETEUR DANS UN ÉTAT NON MODIFIÉ QUELCONQUE, OU DE CENT VINGT-SIX MOIS À COMPTER DE LA DATE D'EXPÉDITION PAR LE VENDEUR, À LA PREMIÈRE DE CES ÉCHÉANCES, SERA RETOURNÉ EN PORT PAYÉ AU VENDEUR, DANS LA MESURE OÙ L'INSPECTION FAITE PAR LE VENDEUR PERMET DE CONCLURE QUE LEDIT PRODUIT EST DÉFECTUEUX, SAUF SI LE PRODUIT EST DESTINÉ À ÊTRE INCORPORÉ PAR L'ACHETEUR DANS UN ÉQUIPEMENT FABRIQUÉ PAR LUI, AUQUEL CAS, LA DURÉE DE L'OBLIGATION DU VENDEUR, AVEC LES LIMITATIONS ÉNONCÉES CI-DESSUS, SERA LIMITÉE À UN AN À COMPTER DE LA DATE D'EXPÉDITION PAR LE VENDEUR.

Tous les autres composants, sauf les échangeurs de chaleur (condenseurs), les brûleurs et les pièces en tôle

Pour les produits du Vendeur, sauf les appareils à chauffage direct et les appareils à haute intensité

Les appareils infrarouges à Chauffage au gaz

LE RECOURS DE L'ACHETEUR EN CAS DE DÉFAILLANCE SOUS GARANTIE, À L'EXCLUSION DE TOUS LES REMÈDES PRÉVUS PAR LA LOI, EST LIMITÉ À LA RÉPARATION OU AU REMPLACEMENT DANS UN ÉTABLISSEMENT DU VENDEUR DE LA OU DES PIÈCES DÉFECTUEUSES QUI, DURANT UNE PÉRIODE DE DEUX ANS À COMPTER DE LA DATE DE LA PREMIÈRE UTILISATION BÉNÉFICIAIRE PAR L'ACHETEUR OU TOUT AUTRE UTILISATEUR, DURANT UNE PÉRIODE DE DEUX ANS À COMPTER DE LA DATE DE REVENTE PAR L'ACHETEUR DANS UN ÉTAT NON MODIFIÉ QUELCONQUE, OU DE TRENTE MOIS À COMPTER DE LA DATE D'EXPÉDITION PAR LE VENDEUR, À LA PREMIÈRE DE CES ÉCHÉANCES, SERA OU SERONT RETOURNÉS EN PORT PAYÉ AU VENDEUR, DANS LA MESURE OÙ L'INSPECTION FAITE PAR LE VENDEUR PERMET DE CONCLURE QUE LEDIT PRODUIT EST DÉFECTUEUX, SAUF SI LE PRODUIT EST DESTINÉ À ÊTRE INCORPORÉ PAR L'ACHETEUR DANS UN ÉQUIPEMENT FABRIQUÉ PAR LUI, AUQUEL CAS, LA DURÉE DE L'OBLIGATION DU VENDEUR, AVEC LES LIMITATIONS ÉNONCÉES ICI, SERA LIMITÉE À UN AN À COMPTER DE LA DATE D'EXPÉDITION PAR LE VENDEUR.

Pour les appareils de chauffage direct et les appareils infrarouges chauffés au gaz offerts par le Vendeur

LE RECOURS DE L'ACHETEUR EN CAS DE DÉFAILLANCE SOUS GARANTIE, À L'EXCLUSION DE TOUS LES REMÈDES PRÉVUS PAR LA LOI, EST LIMITÉ À LA RÉPARATION OU AU REMPLACEMENT, AU GRÉ DU VENDEUR, DANS UN ÉTABLISSEMENT DU VENDEUR DE LA OU DES PIÈCES QUI, DURANT UNE PÉRIODE D'UN AN À COMPTER DE LA PREMIÈRE UTILISATION BÉNÉFICIAIRE PAR L'ACHETEUR INITIAL OU TOUT AUTRE UTILISATEUR, DURANT UNE PÉRIODE D'UN AN À COMPTER DE LA DATE DE REVENTE PAR L'ACHETEUR DANS UN ÉTAT NON MODIFIÉ QUELCONQUE, OU DE DIX-HUIT MOIS À COMPTER DE LA DATE D'EXPÉDITION PAR LE VENDEUR, À LA PREMIÈRE DE CES ÉCHÉANCES, SERA RETOURNÉ EN PORT PAYÉ AU VENDEUR, DANS LA MESURE OÙ L'INSPECTION FAITE PAR LE VENDEUR PERMET DE CONCLURE QUE LES PIÈCES SONT DÉFECTUEUSES.

L'ACHETEUR CONVIENT QU'EN AUCUN CAS LE VENDEUR NE SERA RESPONSABLE DES COÛTS DE TRAITEMENT, DES PERTES DE REVENU, DES PERTES D'ACHAT, OU AUTRES DOMMAGES INDIRECTS OU CONSÉCUTIFS, DÉCOULANT DE LA COMMANDE OU DE L'UTILISATION DE SES PRODUITS, QU'ILS SOIENT LE RÉSULTAT DU NON-RESPECT DES CLAUSES DE GARANTIE, D'UNE NON-CONFORMITÉ AUX SPÉCIFICATIONS DE COMMANDE, DE RETARDS DE LIVRAISON OU DE TOUTE AUTRE PERTE SUBIE PAR L'ACHETEUR.

Modine Manufacturing Company a mis en place un programme d'amélioration continue des ses produits et se réserve donc le droit d'apporter sans préavis des modifications à la conception et aux spécifications de ses produits.

- POUR LES UTILISATIONS RÉSIDENTIELLES, CONSULTEZ LA GARANTIE LIMITÉE POUR PRODUITS GRAND PUBLIC, À LA PAGE PRÉCÉDENTE.



Commercial Products Group

Modine Manufacturing Company

1500 DeKoven Avenue

Racine, WI 53403

Téléphone : 1.800.828.4328 (HEAT)

www.modine.com